



Standard Institutional Showerhead (S)

Features

- Chrome plated brass arm with stainless steel wall flange
- Adjustable spray pattern
- 2.5 GPM (9.5 LPM) flow control

Standards

- Showerhead meets ANSI A112.18.1M flow requirements

Options

Volume Control - Allen Key (AKV)

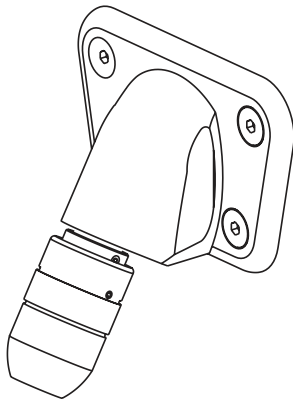
Key operated volume control is adjustable by supervisory personnel only. Does not compensate for pressure fluctuations but restricts maximum discharge to desired level.

Volume Control - T-Handle (THV)

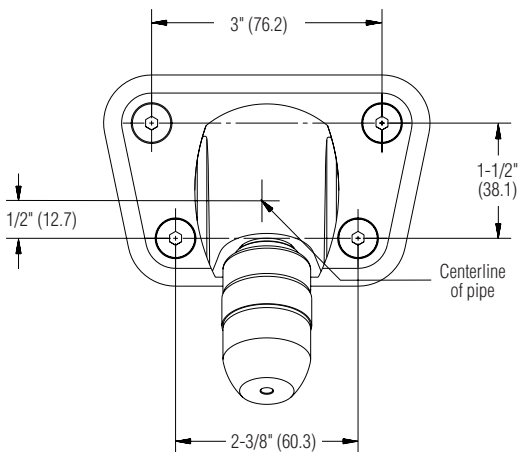
T-Handle operated volume control is adjustable by user. Does not compensate for pressure fluctuations but restricts maximum discharge to desired level.

Lockable Universal Ball Joint (LBJ)

Allows showerhead to be locked at desired angle. Ideal for keeping spray away from dry areas.



Dimensions



(mm)

Deluxe Showerhead with Ball Joint and Wall Arm (SF)

Features

- Chrome plated brass arm with stainless steel wall flange
- Self cleaning spray disc
- Ball joint
- 2.5 GPM (9.5 LPM) flow control

Standards

- Showerhead meets ANSI A112.18.1M flow requirements

Cone-Within-Cone Spray

When water is turned on, the spray disc moves downward into the shower position, delivering an evenly distributed cone-within-cone spray.

Low Maintenance

There is only one moving part inside the solid brass highly chrome plated body. When water is turned off, the spray disc moves upwards, allowing the showerhead to drain instantly and completely. This self-cleaning action significantly retards liming and buildup of water-born solids.

Vandal-Resistant

All moveable components are secured by Allen head set screws but the shape of the deluxe showerhead makes it more vulnerable to tampering than fixed showerheads. Use standard head where prevention of vandalism is of prime consideration.

Options

Volume Control – Allen Key (AKV)

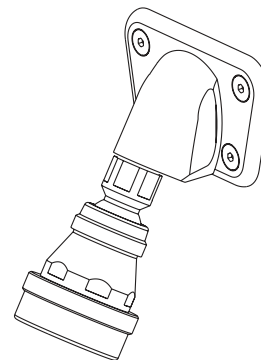
Key operated volume control is adjustable by supervisory personnel only. Does not compensate for pressure fluctuations but restricts maximum discharge to desired level.

Volume Control - T-Handle (THV)

T-Handle operated volume control is adjustable by user. Does not compensate for pressure fluctuations but restricts maximum discharge to desired level.

Lockable Universal Ball Joints (LBJ)

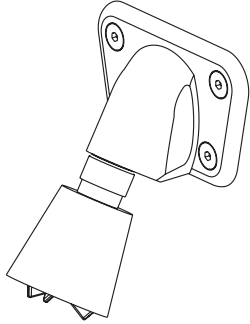
Allows showerhead to be locked at desired angle. Ideal for keeping spray away from dry areas.



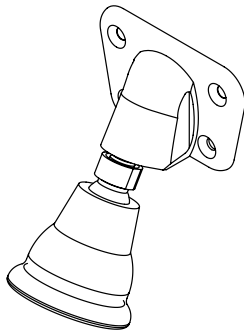


Economy Soft Flow Showerhead with Ball Joint (ES & ES-G)

Heavy chrome-plated ABS construction with fully adjustable spray pattern (not adjustable with G option). All internal components are anti-liming.



ES



ES-G

Basic Brass Showerhead with Ball Joint (BS)

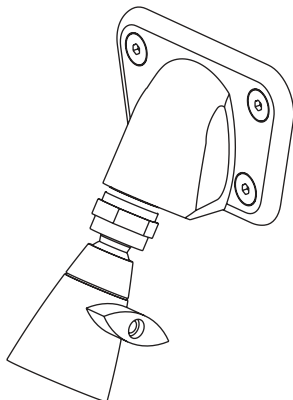
Solid chrome-plated brass shower head. Adjustable spray pattern with vandal-resistant screw.

Features

- Chrome plated brass arm with stainless steel wall flange
- Ball joint
- Adjustable spray pattern
- 2.5 GPM (9.5 LPM) flow control

Standards

- Showerhead meets ANSI A112.18.1M flow requirements



Severe Service Showerhead (SX)

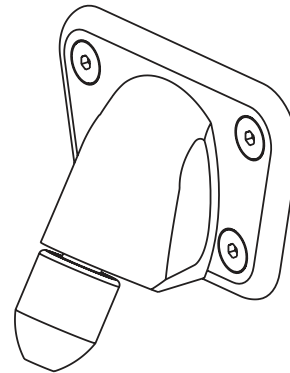
Severe service option is available in lieu of screw-type head. Fixed direction spray pattern is adjustable only through orifice with 1/8" Allen key. Use in high-volume areas. Ball joints or volume controls are not available on this head.

Features

- Chrome plated brass arm with stainless steel wall flange
- Fixed directional spray pattern
- 2.5 GPM (9.5 LPM) flow control

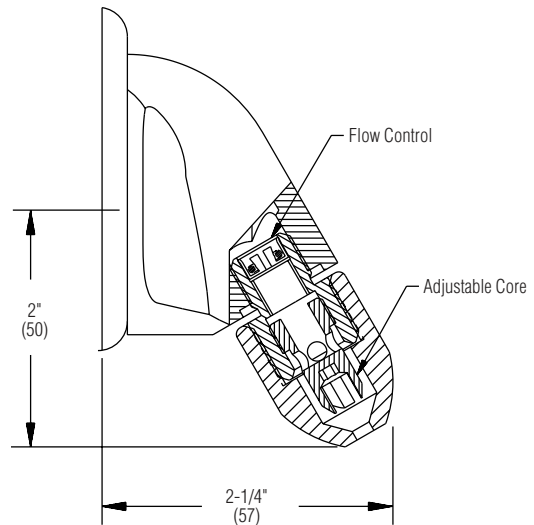
Standards

- Showerhead meets ANSI A112.18.1M flow requirements



Dimensions

(mm)





Shower Accessories (1C Showerheads)

Showerheads Anchor Plate/
Back Plate

Screws for mounting showerheads, anchor plates and back plates are furnished by Bradley. 1/4-20 x 1-1/4" stainless steel Allen socket flat head screws are furnished for mounting anchor plates or heads directly to wall.

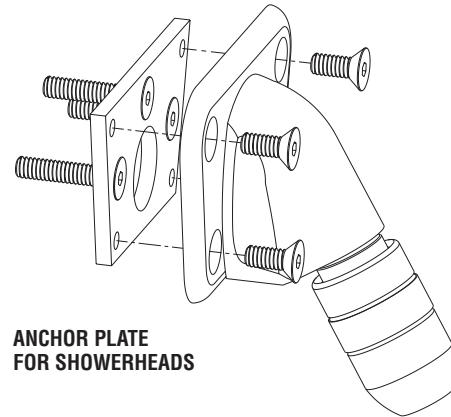
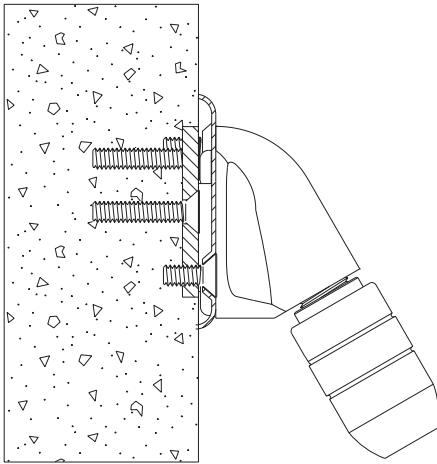
If anchor plates are used, 1/4-20 x 5/8" stainless steel Allen socket flat head screws are furnished for attaching head to anchor plates. If back plates are required, Bradley furnishes stainless steel nuts, washers and threaded rods of sufficient length to suit wall thickness.

Anchor Plates
(suffix AP and application)

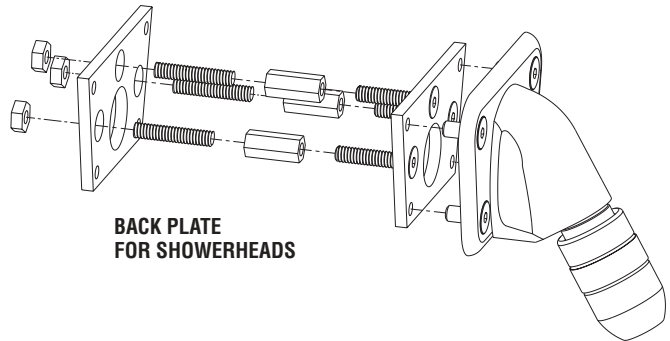
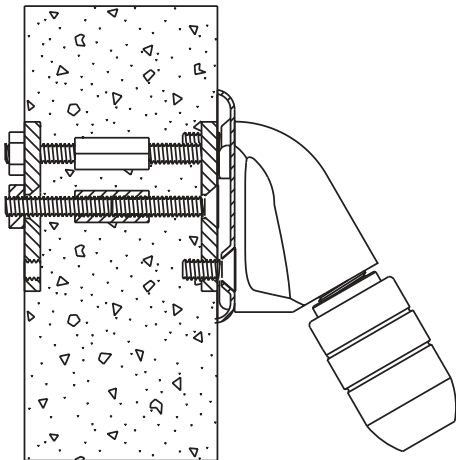
Provides additional mounting strength for built-in shower components. 3/16" cadmium-plated steel plate furnished with countersunk mounting holes and 1/4-20 x 1-1/4" machine screws for installation.

Back Plate
(suffix BP and application)

Allows most secure anchorage of wall-mounted components. 3/16" cadmium-plated steel plate furnished with couplings, studs and nuts. Will accommodate 8" wall thickness.



ANCHOR PLATE
FOR SHOWERHEADS



BACK PLATE
FOR SHOWERHEADS



Model	Part No.	Description
<input type="checkbox"/> 1C-S	S24-044	Standard Institutional Showerhead

Optional Selections		
Volume Control		
<input type="checkbox"/> AKV	Allen Key Volume Control	
<input type="checkbox"/> THV	T-Handle Volume Control	
Ball Joint		
<input type="checkbox"/> LBJ	Lockable Ball Joint	
Optional Flow Control		
<input type="checkbox"/> G	1.5 GPM (4.7 LPM) Flow Control	

Model	Part No.	Description
<input type="checkbox"/> 1C-SX	S24-088	Severe Service Showerhead

Optional Selections		
Optional Flow Control		
<input type="checkbox"/> G	1.5 GPM (4.7 LPM) Flow Control	

Model	Part No.	Description
<input type="checkbox"/> 1C-SF	S24-074	Deluxe Showerhead

Optional Selections		
Volume Control		
<input type="checkbox"/> AKV	Allen Key Volume Control	
<input type="checkbox"/> THV	T-Handle Volume Control	
Ball Joint		
<input type="checkbox"/> LBJ	Lockable Ball Joint	

Model	Part No.	Description
<input type="checkbox"/> 1C-ES	S24-178	Economy Soft Flow Showerhead

Optional Selections		
Optional Flow Control		
<input type="checkbox"/> G	1.5 GPM (4.7 LPM) Flow Control	

Model	Part No.	Description
<input type="checkbox"/> 1C-BS	S24-180	Brass Showerhead w/Ball Joint