

Miller 5,000 lb. (5K) Drop-Through Swivel

Description

A removeable and reusable 6 ft. (1.8 m) 5K drop through anchor designed for overhead applications. Cable length determined by customers' needs.

Materials

Plate: Coated Steel
Swivel: Ring: Zinc plated steel
Cable: Aircraft cable
Tubing: Polyurethane

Technical

UTS: 5,000 lbf. (22 kN)
Maximum
User Weight: 310 lbs. (140 kg)
Working Load: 1,000 lbs. (454 kg)

Certifications

Meets all ANSI Z359.1-2007, Z359.7-2011 and OSHA 1926.502 requirements.

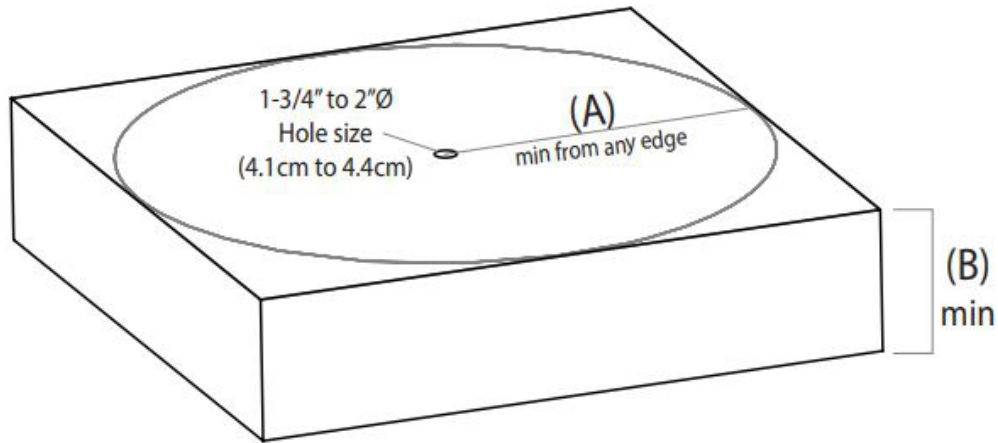


RACDTA-5K/6FT

5,000 lb. (5K) Drop-Through Swivel Anchors		
Model Number	Anchor Plate Description	Weight
RACDTA-5K/6FT	4 in. (10 cm) round plate and swivel	1.6 lbs. (0.7 kg)
RACDTA-5K6/6FT	6 in. (15 cm) square plate and swivel	2.6 lbs. (1.2 kg)
RACDTA-5K12/6FT	12 in. (30 cm) square plate and swivel	9.0 (4.1 kg)

Miller 5,000 lb. (5K) Drop-Through Swivel

Drawings and Measurements



HOLE REQUIREMENT CHART

Material	(A)\" Minimum distance from edge/corner	(B)\" thickness
Concrete	12 in. (30.5 cm)	12 in. (30.5 cm)
Steel	4 in. (10 cm)	1/4 in. (.635 cm)

Limitless Possibilities. Ask the Expert.

Technical Service: 800.873.5242
 www.millerfallprotection.com

Honeywell Industrial Safety

900 Douglas Pike
 Smithfield, RI 02917

USA

Phone: 800.430.5490
 Fax: 800.322.1330

Canada

Phone: 888.212.7233
 Fax: 888.667.8477

⚠ This equipment should only be used after reading and understanding the manufacturer's instructions. Failure to follow instructions could result in serious injury or fatality.