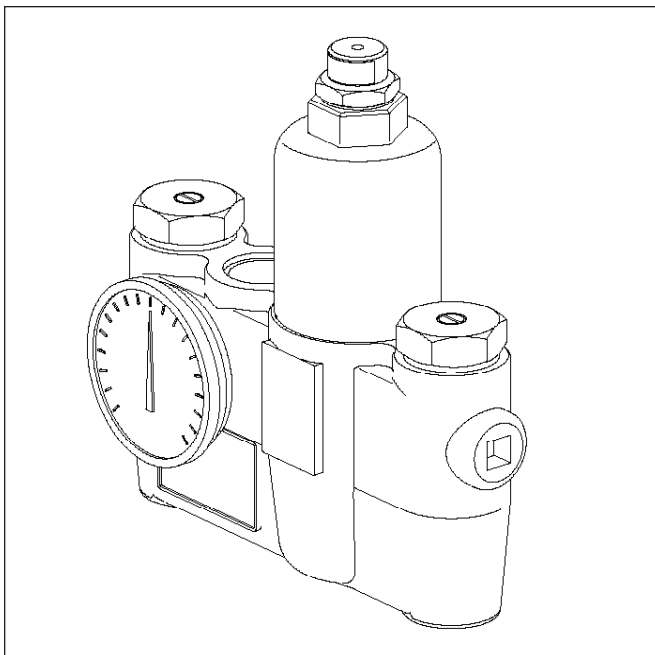




# S19-2100 Emergency Fixture Thermostatic Mixing Valve

- Exceeds ANSI Z358.1
- Reliable Liquid-Filled Thermostat with 10-Year Warranty
- Integral Strainer Checkstops on Inlets
- Adjustable Set Point within Temperature Range
- Accurate Temperature Control to within  $\pm 3^\circ$  F
- Built-in Cold Water Bypass, Assuring Cold Flow
- Positive Shutoff of Hot Supply When Cold Supply is Lost
- Easy Installation and Serviceability
- Dirt and Lime Resistant
- Dial Thermometer
- Factory Assembled and Tested
- Universal Mounting Capability
- Cabinet Features:
  - 18 Gauge Body & Door
  - Left-Hand Hinge
  - Cylinder Lock
  - Inlet/Outlet Knock-Out Holes for Mounting Flexibility
  - Stainless Steel or Baked White Enamel Finishes
  - Surface-Mounted or Recessed Style



## Valve Specifications

### Maximum Operating Pressure

125 PSI (860 kPa)

### Maximum Inlet Temperature

180° F (82° C)

### Recommended Inlet Temperature

120° F (49° C) – 140° F (60° C)

### Temperature Range

**Std.** 65° F (18° C) to 90° F (32° C)

### Set Point

85° F (29° C)

### Flow Capacities – GPM (L/Min)

Model	Min. Flow	Pressure Drop – PSI (Bar)						
		5 (.5)	10 (1.0)	15 (1.5)	20 (2.0)	30 (2.5)	45 (3.0)	60 (4.0)
<b>S19-2100</b>	2.0 (5.5)	10.5 (48.5)	15 (68.5)	18.5 (84.0)	21.3 (97.0)	26.0 (108.5)	32.0 (119.0)	37.0 (137.0)
Cold Bypass Only		8.0 (37.0)	11.5 (52.0)	14 (64.5)	16.5 (74.0)	20.0 (83.0)	24.5 (91.0)	28.0 (105.0)



*This plumbing fixture is not intended to dispense water for human consumption through drinking or for preparation of food or beverages.*

Engineer's Approval \_\_\_\_\_

## Models (Must select one)

Model	Description
<input type="checkbox"/> <b>S19-2100</b>	EFX25-Thermostatic Mixing Valve

## Optional Selections

### Finish

**C** Chrome Plated

### Bracket

**B** Wall Mounting Bracket

### Piped Assembly

- P** Piped Assembly with Inlet and Outlet Shutoff
- N** Piped Assembly only

### Cabinets

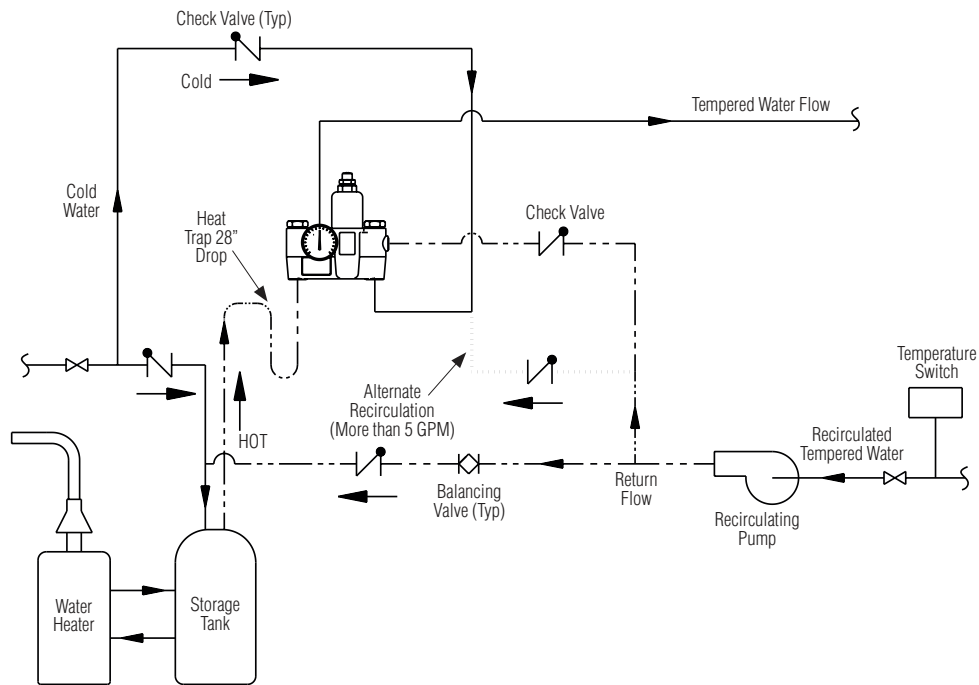
- SS** Surface Mount Stainless Steel
- RS** Recessed Stainless Steel
- SE** Surface Mount White Enamel
- RE** Recessed White Enamel
- W** Plexi-glass Window in Door



# S19-2100 Emergency Fixture Thermostatic Mixing Valve

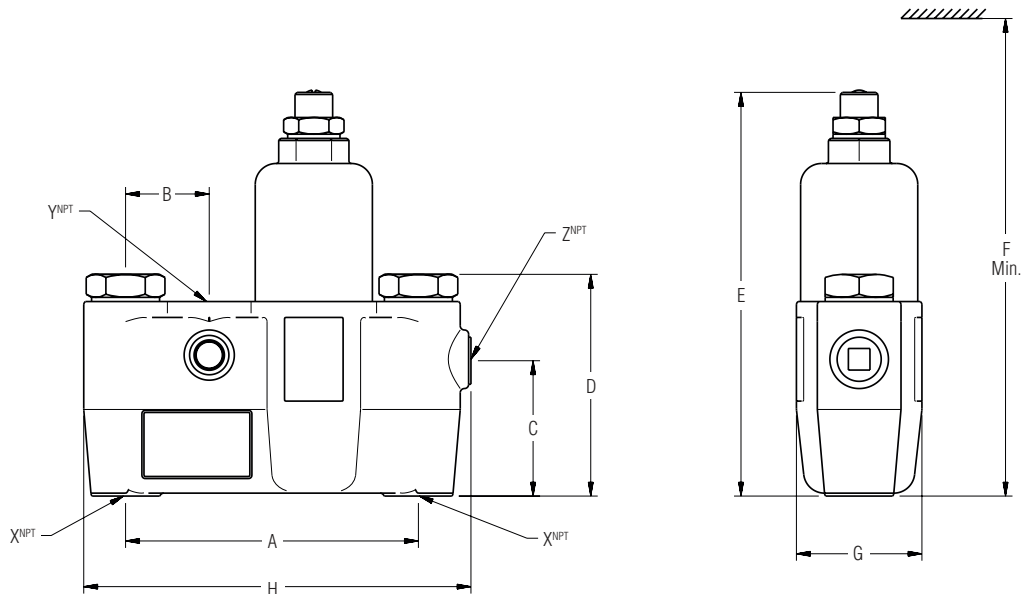
## Recirculation Diagram

(mm)



## Dimensions

Model	A	B	C	D	E	F	G	H	X <sup>NPT</sup>	Y <sup>NPT</sup>	Z <sup>NPT</sup>
S19-2100	7" (178)	2" (51)	3-1/4" (84)	4-3/4" (119)	8" (203)	14" (356)	3-1/8" (79)	9-1/4" (234)	3/4"	1"	3/4"





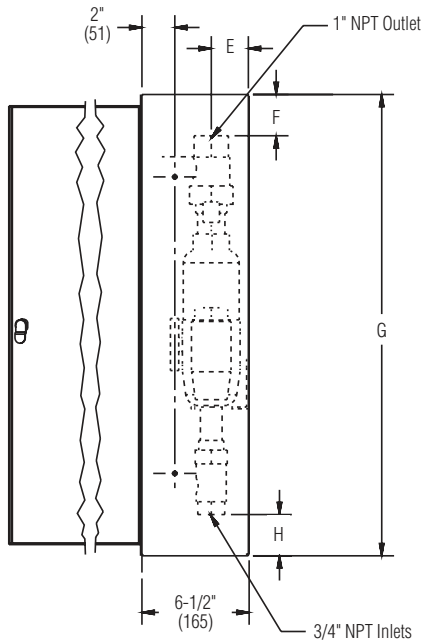
# S19-2100 Emergency Fixture Thermostatic Mixing Valve

## Dimensions — Surface-Mounted Cabinet

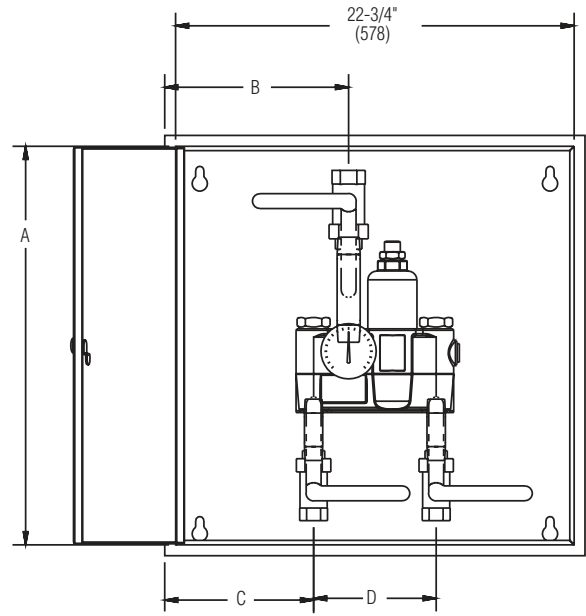
(mm)

Model	A	B	C	D	E	F	G	H	I	J	K	L
S19-2100	22-3/4" (578)	10-1/2" (267)	8-1/2" (216)	7" (178)	2" (51)	2" (51)	24" (610)	2" (51)	6-1/4" (159)	7-1/2" (191)	20" (508)	8-7/16" (214)

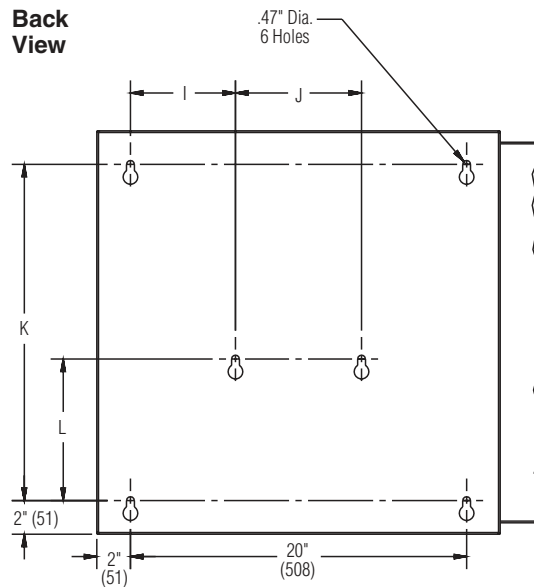
**Side View**



**Front View**



**Back View**





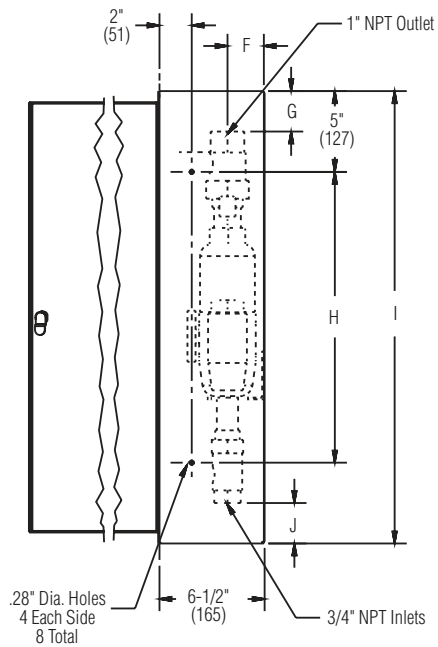
# S19-2100 Emergency Fixture Thermostatic Mixing Valve

## Dimensions — Recessed Cabinet

(mm)

Model	A	B	C	D	E	F	G	H	I	J
S19-2100	26" (660)	22-3/4" (578)	10-1/2" (267)	8-1/2" (216)	7" (178)	2" (51)	2" (51)	14" (356)	24" (610)	2" (51)

Side View



Front View

