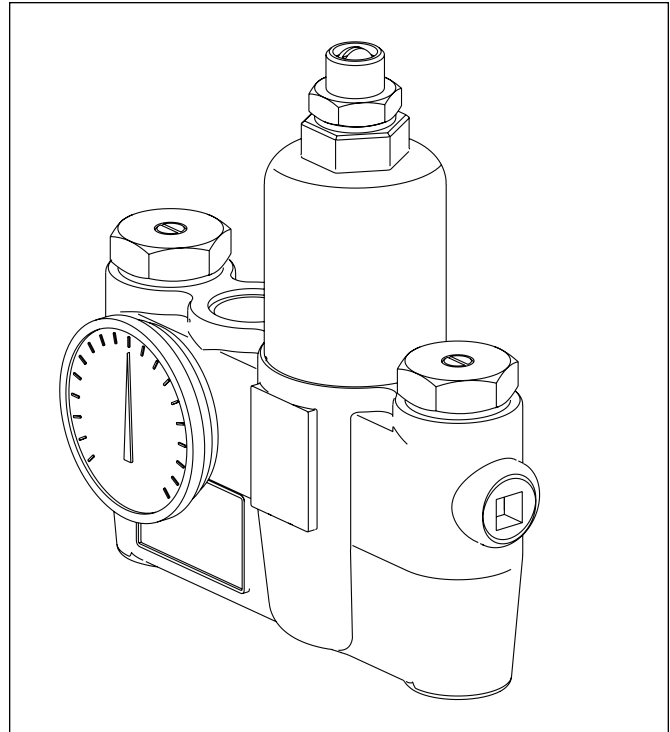


**S19-2100, S19-2200**
**Emergency Fixture Thermostatic Mixing Valves**

- Meets ANSI Z358.1-2009
- Reliable Liquid-Filled Thermostat with 10-Year Warranty
- Integral Strainer Checkstops on Inlets
- Adjustable Set Point within Temperature Range
- Accurate Temperature Control to within  $\pm 3^\circ$  F
- Built-in Cold Water Bypass, Assuring Cold Flow
- Positive Shutoff of Hot Supply When Cold Supply is Lost
- Easy Installation and Serviceability
- Dirt and Lime Resistant
- Dial Thermometer
- Factory Assembled and Tested
- Universal Mounting Capability
- Cabinet Features:
  - 18 Gauge Body & Door
  - Left-Hand Hinge
  - Cylinder Lock
  - Inlet/Outlet Knock-Out Holes for Mounting Flexibility
  - Stainless Steel or Baked White Enamel Finishes
  - Surface-Mounted or Recessed Style


**Valve Specifications**
**Maximum Operating Pressure**

125 PSI (860 kPa)

**Maximum Inlet Temperature**

180° F (82° C)

**Recommended Inlet Temperature**

120° F (49° C) – 140° F (60° C)

**Temperature Range**
**Std.** 65° F (18° C) to 95° F (35° C)

**Set Point**

85° F (29° C)

**Flow Capacities – GPM (L/Min)**

Model	Min. Flow	Pressure Drop – PSI (Bar)						
		5 (.5)	10 (1.0)	15 (1.5)	20 (2.0)	30 (2.5)	45 (3.0)	60 (4.0)
<b>S19-2100</b>	2.0 (5.5)	10.5 (48.5)	15.0 (68.5)	18.5 (84.0)	21.3 (97.0)	26.0 (108.5)	32.0 (119.0)	37.0 (137.0)
	<b>Cold Bypass Only</b>	8.0 (37.0)	11.5 (52.0)	14.0 (64.5)	16.5 (74.0)	20.0 (83.0)	24.5 (91.0)	28.0 (105.0)
<b>S19-2200</b>	2.0 (7.5)	22.0 (99.5)	31.0 (141)	38.0 (172.5)	43.5 (199.0)	53.5 (222.5)	65.5 (244.0)	75.5 (281.5)
	<b>Cold Bypass Only</b>	16.5 (76.3)	23.5 (108.0)	29.0 (132.0)	33.5 (152.5)	41.0 (170.5)	50.0 (187.0)	58.0 (216.0)

**Models** (Must select one)

- | Model                                    | Description                     |
|--|---------------------------------|
| <input type="checkbox"/> <b>S19-2100</b> | EFX25-Thermostatic Mixing Valve |
| <input type="checkbox"/> <b>S19-2200</b> | EFX60-Thermostatic Mixing Valve |

**Optional Selections**
**Finish**

- 
- C**
- Chrome Plated

**Piped Assembly**

- 
- P**
- Piped Assembly with Inlet and Outlet Shutoff
- 
- 
- N**
- Piped Assembly only

**Cabinets**

- 
- SS**
- Surface Mount Stainless Steel
- 
- 
- RS**
- Recessed Stainless Steel
- 
- 
- SE**
- Surface Mount White Enamel
- 
- 
- RE**
- Recessed White Enamel
- 
- 
- W**
- Plexi-glass Window in Door

# Bradley S19-2100 Navigator EFX25

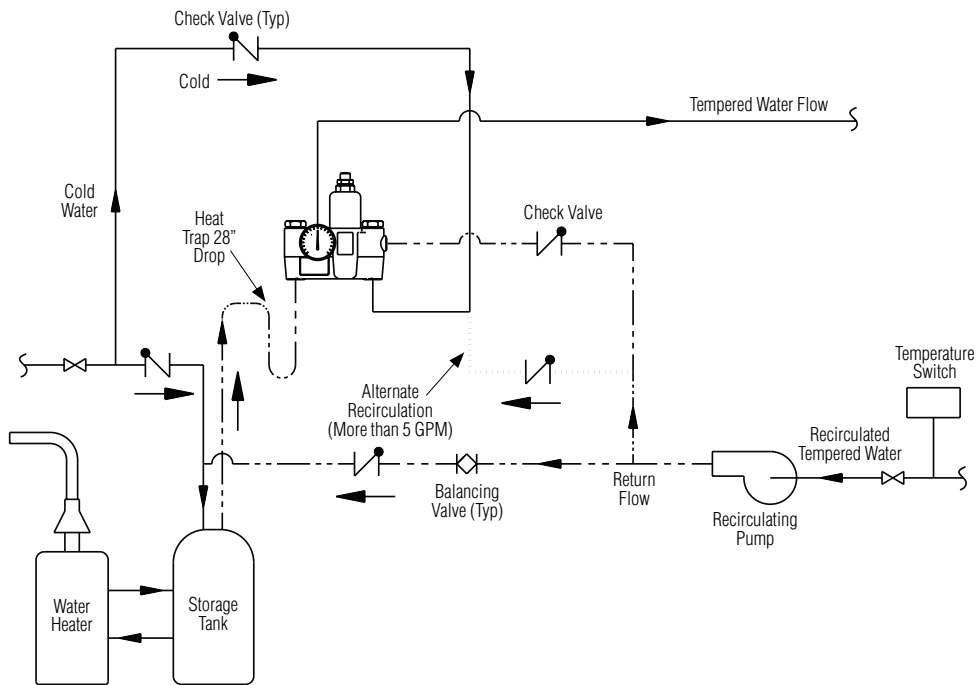
Engineer's Approval \_\_\_\_\_

**S19-2100, S19-2200**

**Emergency Fixture Thermostatic Mixing Valves**

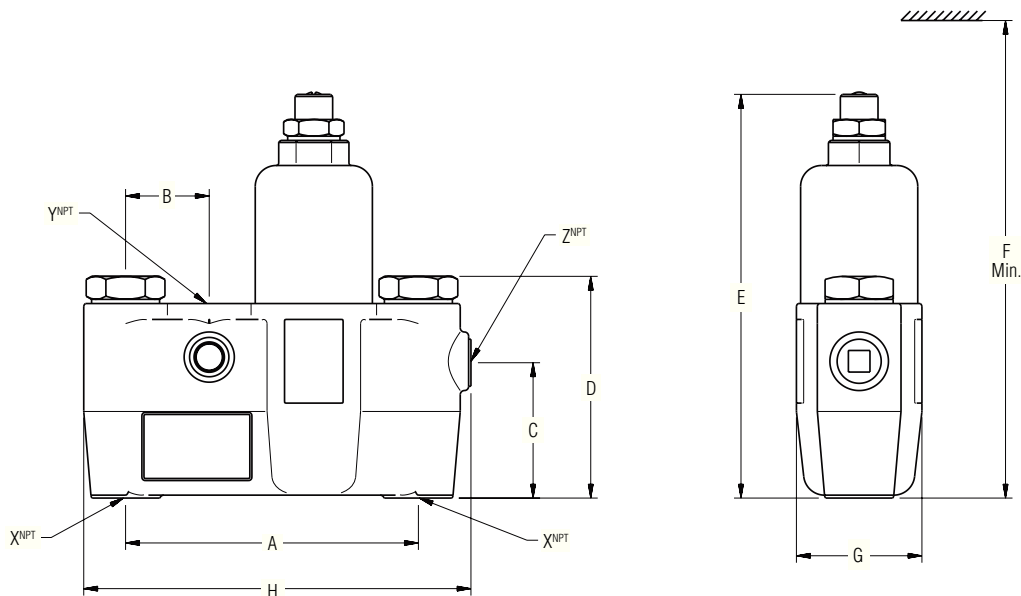
**Recirculation Diagram**

(mm)



**Dimensions**

Model	A	B	C	D	E	F	G	H	X <sup>NPT</sup>	Y <sup>NPT</sup>	Z <sup>NPT</sup>
S19-2100	7" (178)	2" (51)	3-1/4" (84)	4-3/4" (119)	8" (203)	14" (356)	3-1/8" (79)	9-1/4" (234)	3/4"	1"	3/4"
S19-2200	8-3/4" (224)	2-1/2" (64)	3-1/2" (89)	5-1/4" (135)	12-1/4" (312)	19" (483)	3-5/8" (91)	11-3/8" (290)	1"	1-1/4"	3/4"



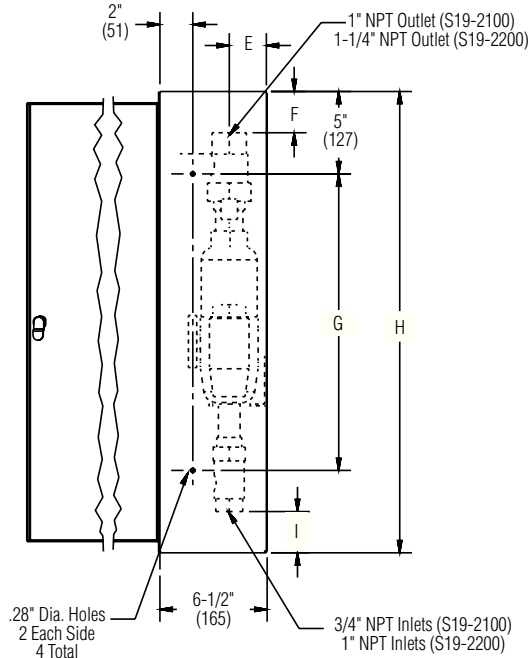
## S19-2100, S19-2200 Emergency Fixture Thermostatic Mixing Valves

### Dimensions — Surface-Mounted Cabinet

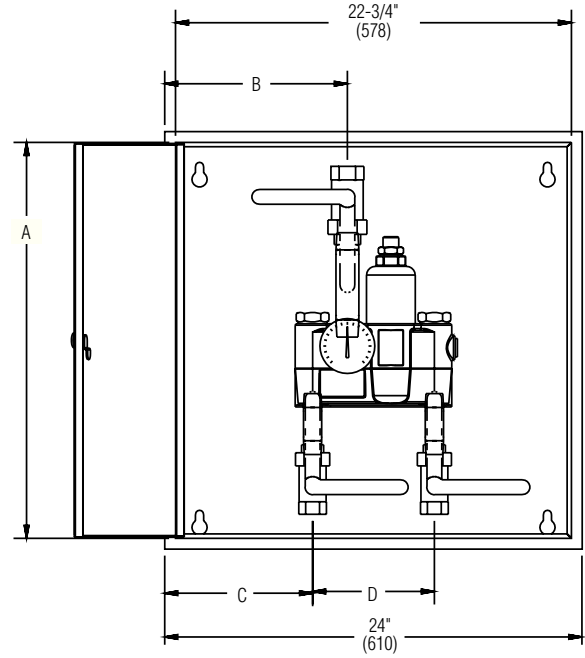
(mm)

Model	A	B	C	D	E	F	G	H	I	J	K	L	M
<b>S19-2100</b>	22-3/4" (578)	10-1/2" (267)	8-1/2" (216)	7" (178)	2" (51)	2" (51)	14" (356)	24" (610)	2" (51)	6-1/4" (159)	7-1/2" (191)	20" (508)	8-7/16" (214)
<b>S19-2200</b>	26-3/4" (679)	10-3/16" (259)	7-5/8" (194)	8-3/4" (222)	2-1/4" (57)	2-1/2" (64)	18" (457)	28" (711)	2-1/2" (64)	5-1/8" (130)	9-3/4" (248)	24" (610)	9-3/16" (233)

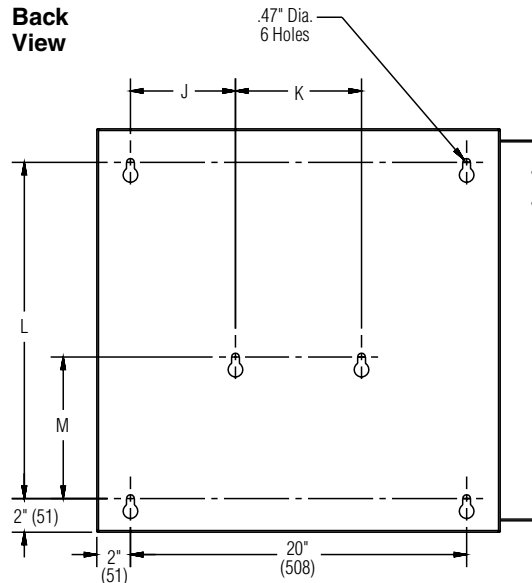
**Side View**



**Front View**



**Back View**



## S19-2100, S19-2200 Emergency Fixture Thermostatic Mixing Valves

**Dimensions — Recessed Cabinet**

(mm)

Model	A	B	C	D	E	F	G	H	I	J
<b>S19-2100</b>	26" (660)	22-3/4" (578)	10-1/2" (267)	8-1/2" (216)	7" (178)	2" (51)	2" (51)	14" (356)	24" (610)	2" (51)
<b>S19-2200</b>	30" (762)	26-3/4" (679)	10-3/16" (259)	7-5/8" (194)	8-3/4" (222)	2-1/4" (57)	2-1/2" (64)	18" (457)	28" (711)	2-1/2" (64)

