

# Installation

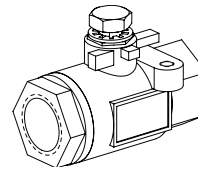
**S30-109, S30-110,  
S30-111, S30-112**  
**Ball Valve/Handle Prepack (Right Handle)**

**S30-071, S30-116**  
**Handle Kit**



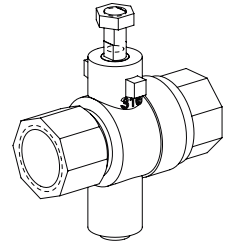
Shut off water supply before beginning installation.

S27-287

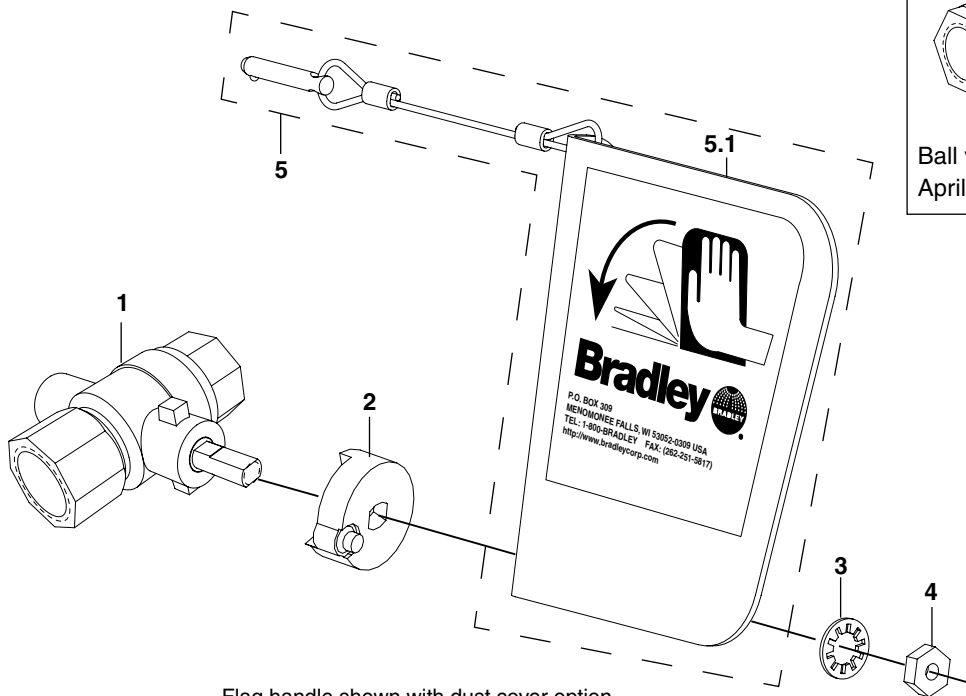


Ball valves prior to  
April 1, 2013

S27-328



Ball valves after to  
April 1, 2013



Flag handle shown with dust cover option.

	Description	S30-109	S30-110	S30-112	S30-071	S30-111	S30-116
1	1/2" Ball Valve with nut, stainless steel (S27-328)	X		X		X	
1.1*	1/2" Ball Valve with nut, vented, 304 SS (S27-330)		X				
2	Adapter (153-372R)	X	X	X	X		
2.1	Adapter, 316 SS (153-372R316)					X	X
3	Lockwasher (142-002DA)	X	X	X	X	X	X
4	Nut (110-248)				X		X
5	Flag Handle with Dust Cover (S08-056)			X			
5.1	Flag Handle without Dust Cover (S08-336)	X	X		X		
5.2	Flag Handle without Dust Cover, 316 SS (S08-398)					X	X

\*Item used with frost proof applications.

[Bradley S19 210bss Eyewash All Stainless Steel](#)