

S19-210HFP

Frost-proof, Pedestal-Mounted Eyewash Unit

- Complies with American National Standard Z358.1-2009
- Galvanized Steel Protected with BradTect® Safety Yellow Coating or All Stainless Steel
- Universal Identification Sign and Inspection Tag Included
- Full, One-Year Warranty

Specifications

This unit is made specifically for areas subject to freezing. Unit design saves space and fits easily into any work environment. Eyewash operates quickly by a large, highly visible push handle. Safe, steady water flow under varying water supply conditions from 30–90 PSI is assured by integral flow control in the sprayhead assembly. NOTE: The ANSI Z358.1 standard requires an uninterrupted supply of flushing fluid at a minimum 30 PSI flowing pressure.



This plumbing fixture is not intended to dispense water for human consumption through drinking or for preparation of food or beverages.

Standard Equipment

Eyewash Bowl

10¾" (273mm) diameter corrosion-resistant stainless steel.

Standard Sprayhead Assembly

Chrome-plated brass sprayhead assembly with twin soft-flow eyewash heads and protective sprayhead covers. Safe, steady water flow under varying water supply conditions from 30–90 PSI is assured by integral flow control in the sprayhead assembly.

Frost-Proof Valve

Brass 1" NPT stay-open ball valve. Hand operated by a stainless steel push flag handle.

Pipe and Fittings

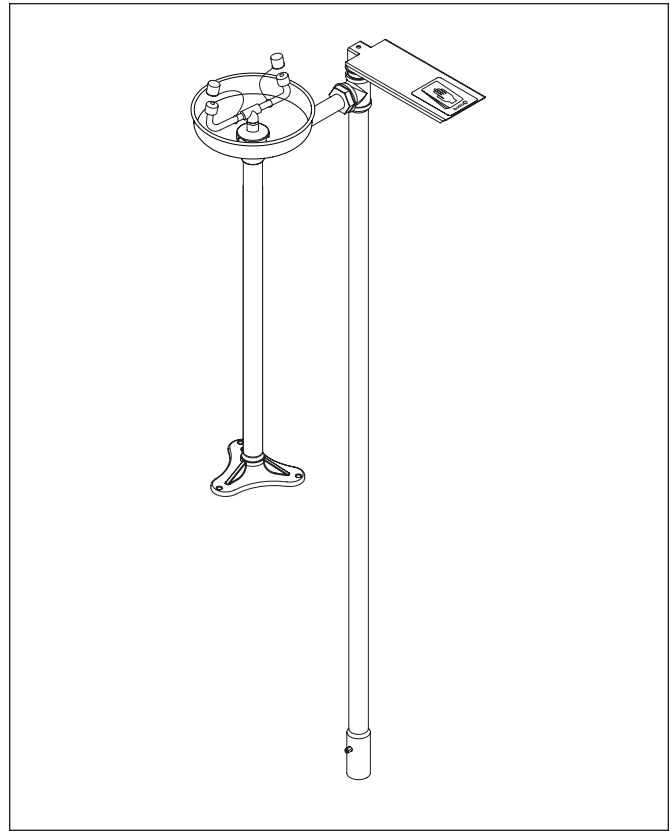
Galvanized steel protected with BradTect® safety yellow coating. Standard depth is 36" (914mm). Special order for other bury depths: 18", 48", 60" and 72".



Special order depths are non-returnable.

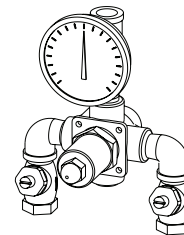
Water Supply

1¼" NPT.



Recommended Option:
Navigator S19-2000 EFX8
Emergency Thermostatic Mixing
Valve

NAVIGATOR



Satisfies ANSI Z358.1-2009
tepid water requirements.

[Bradley S19-210HFP3 Emergency Eyewash Station Frost Proof](#)
[Bradley S19-210HFP18 Emergency Eyewash Station Frost Proof](#)
[Bradley S19-210HFP4 Emergency Eyewash Station Frost Proof](#)
[Bradley S19-210HFP5 Emergency Eyewash Station Frost Proof](#)
[Bradley S19-210HFP6 Emergency Eyewash Station Frost Proof](#)

S19-210HFP

Frost-proof, Pedestal-Mounted Eyewash Unit

Model	Description
<input type="checkbox"/> S19-210HFP	Eyewash - Frostproof, Pedestal-Mounted
<input type="checkbox"/> S19-2000	Navigator EFX8 - Emergency Thermostatic Mixing Valve



All dimensions assume standard thread engagement. Variations in manufacturing allow for +/- 1/8" (3mm) per threaded joint. To find the tolerance of a dimension, add the number of thread joints in between a dimension and multiply it by 1/8" (3mm).

