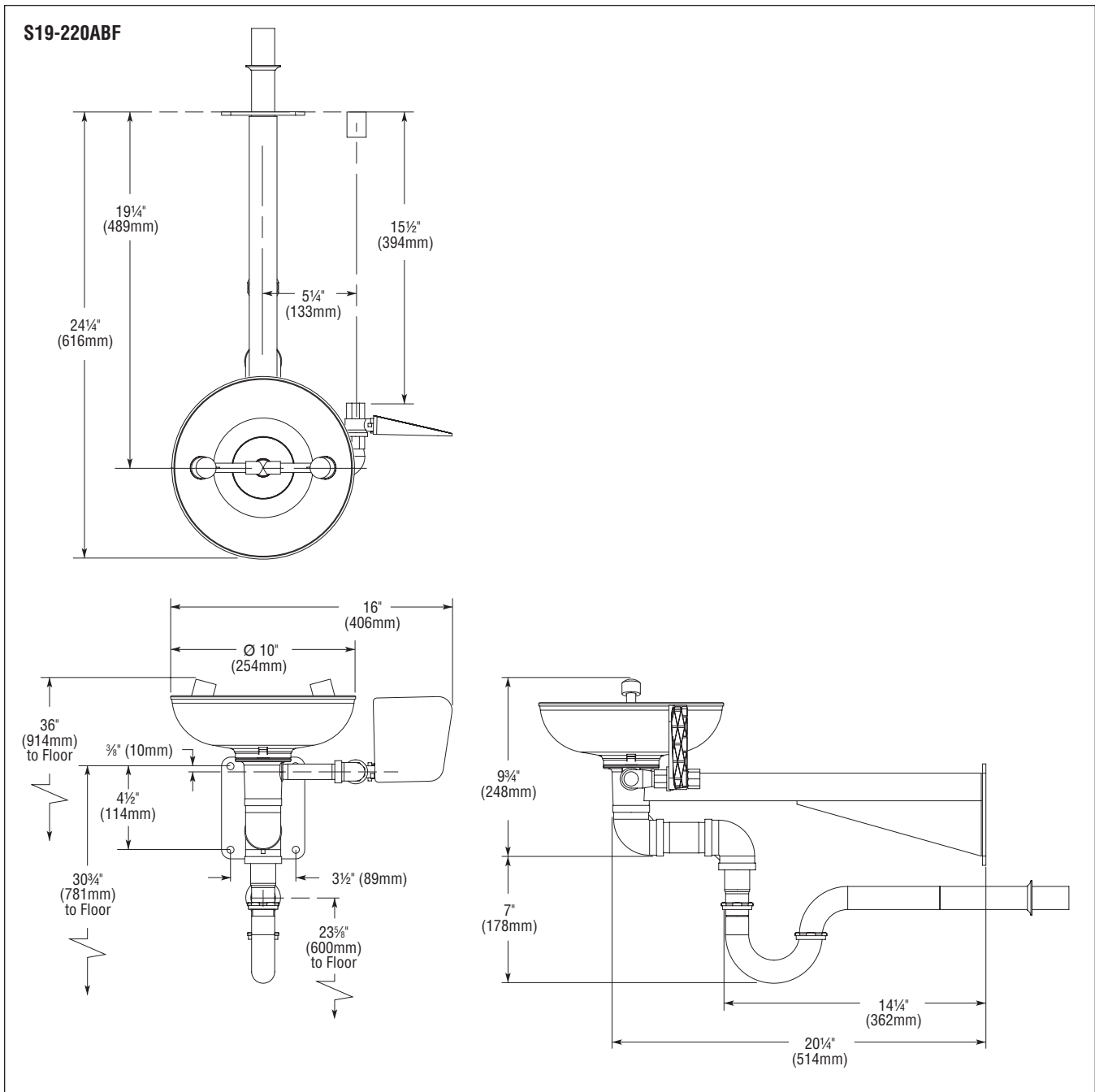




# S19-220ABF, S19-220BBF

## Barrier-Free Wall-Mount Eyewash Unit



All dimensions assume standard thread engagement. Variations in manufacturing allow for +/- 1/8" (3mm) per threaded joint. To find the tolerance of a dimension, add the number of thread joints in between a dimension and multiply it by 1/8" (3mm).



Local codes may require the installation of a backflow prevention valve to complete proper installation. Compliance with local codes is the responsibility of the installer. Valve must be tested annually to verify that it is functioning properly. Backflow prevention valves are not included with the fixture and may be supplied by the contractor or purchased from Bradley Corporation.

# S19-220ABF, S19-220BBF

## Barrier-Free Wall-Mount Eyewash Unit

**S19-220BBF**

