

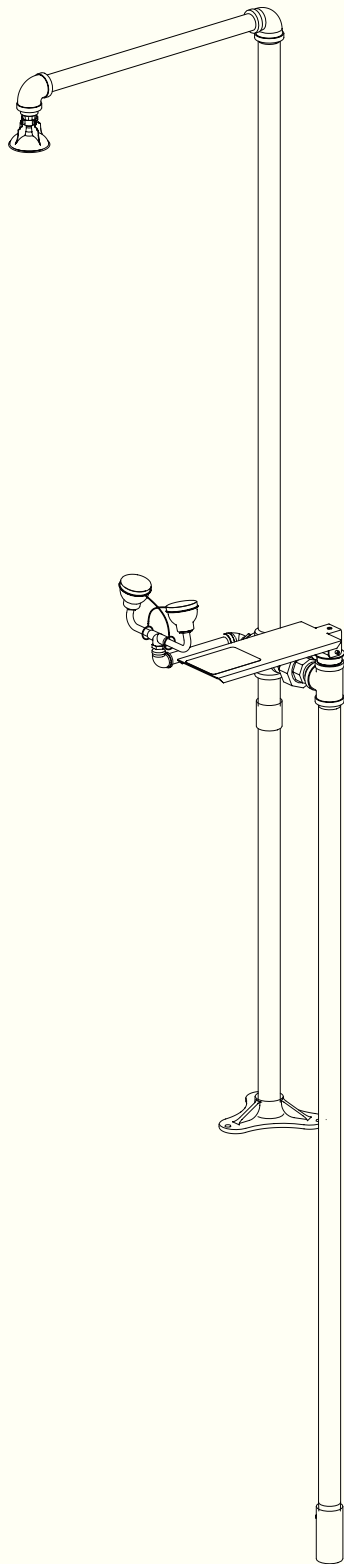
Installation

S19-310HFP

**Frost-Proof Combination Drench Shower and Eye/Face Wash
(18", 3', 4', 5' or 6' Bury Depth)**

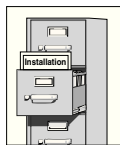
Table of Contents

Pre-Installation Information	2
Installation	3
Assembly of Components	4-5
Parts List	6



- [Bradley S19-310HFP18 Face Eye Wash Safety Drench Shower](#)
- [Bradley S19-310HFP3 Face Eye Wash Safety Drench Shower](#)
- [Bradley S19-310HFP4 Face Eye Wash Safety Drench Shower](#)
- [Bradley S19-310HFP5 Face Eye Wash Safety Drench Shower](#)
- [Bradley S19-310HFP6 Face Eye Wash Safety Drench Shower](#)

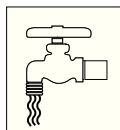
IMPORTANT



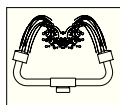
Read this installation manual completely to ensure proper installation, then file it with the owner or maintenance department. Compliance and conformity to drain requirements and other local codes and ordinances is the responsibility of the installer.



Separate parts from packaging and make sure all parts are accounted for before discarding any packaging material. If any parts are missing, do not begin installation until you obtain the missing parts.



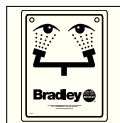
Flush the water supply lines before beginning installation and after installation is complete. Test the unit for leaks and adequate water flow. Main water supply to the eyewash should be "ON" at all times. Provisions shall be made to prevent unauthorized shutoff.



The ANSI Z358.1 standard requires an uninterrupted supply of flushing fluid. Bradley plumbed emergency fixtures require a minimum of 30 PSI (0.21 MPa) flowing pressure. Flushing fluid should be tepid per ANSI Z358.1.



The inspection and testing results of this equipment should be recorded weekly to verify proper operation. This equipment should be inspected annually to ensure compliance with ANSI Z358.1.



Workers who may come in contact with potentially hazardous materials should be trained regarding the placement and proper operation of emergency equipment per ANSI Z358.1.



Supplies Required:

- (3) 3/8" floor anchors and bolts
- Teflon tape and pipe sealant
- Material for concrete footings
- Crushed stone
- Piping to 1 1/4" NPT tempered water supply inlet
- Adequate supply pipe supports
- Minimum 4" (102 mm) drain to accommodate 30 gallons (115 liters) per minute discharge for shower waste
- OPTIONAL: Sign-mounting hardware



Local codes may require the installation of a backflow prevention valve to complete proper installation. Compliance with local codes is the responsibility of the installer. Valve must be tested annually to verify that it is functioning properly. Backflow prevention valves are not included with the fixture and may be supplied by the contractor or purchased from Bradley Corporation.

Installation

NOTICE! Avoid cleaners containing organic solvents, alcohols, and hydrocarbons. Rinse with water after cleaning.

Step 1: Concrete footing and base

1. Pour a concrete footing for the drench shower adjacent to the excavation for supplies and drains.

IMPORTANT! Make sure the solid nipple is positioned where shown on page 4.

IMPORTANT! Make sure the pipe tee is aligned toward the excavation.

2. Assemble the base, the 31" long pipe, the coupling, the solid pipe and the pipe cross (refer to page 4).
3. Attach the base to the footing with suitable fasteners (supplied by installer).

Step 2: Valve assembly

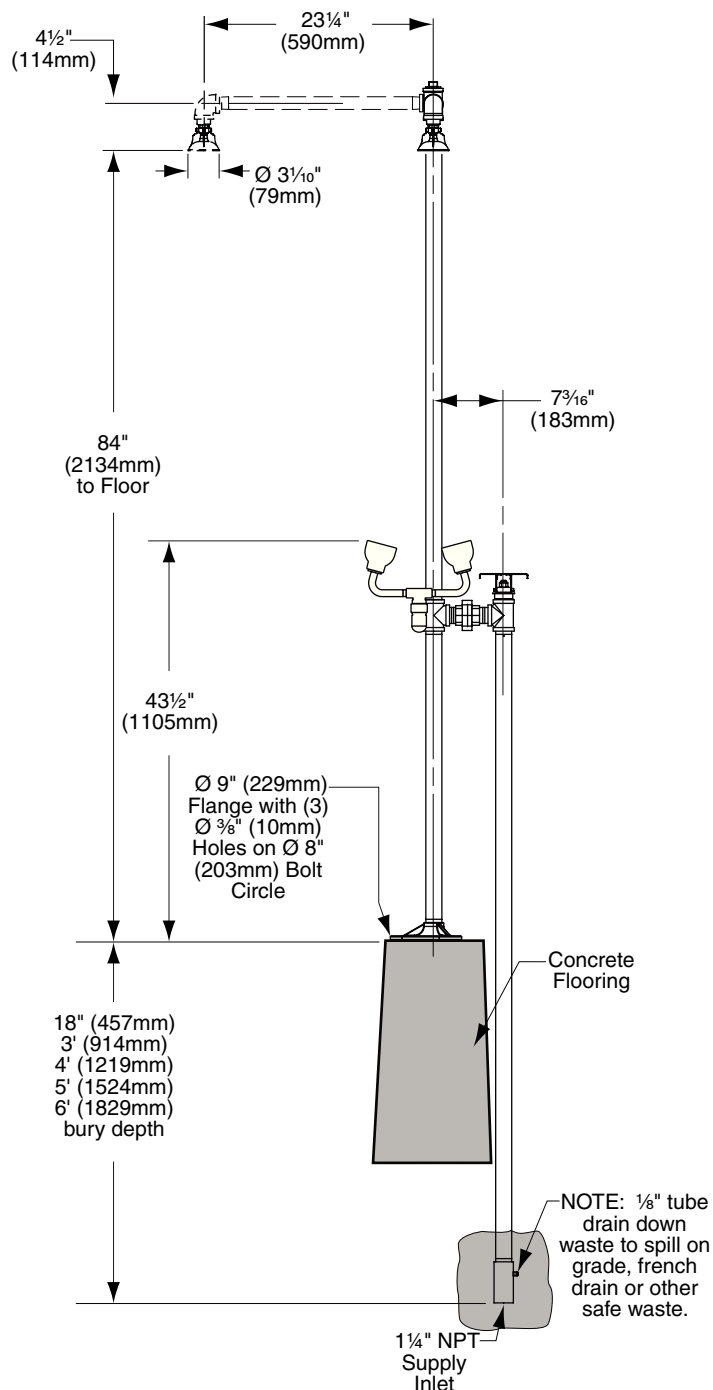
1. Lower the valve assembly into the excavation and attach the valve assembly to the base assembly using the close nipples and union as shown on page 4.
 - This will establish the heights of the valves for connection to the supplies and drains.
2. Connect the valves to the supplies and weep valves to drain down waste outlet.
3. Backfill as specified.

Step 3: Assemble components

1. Assemble the remaining components.
 - Use the rubber grip pad provided or a strap wrench around pipes when tightening to prevent marring. Place the grip pad on the pipe, then put the wrench over the grip pad and turn the pipe with the wrench.

IMPORTANT! Do not rely on Bradley's Drench Shower to support supply piping.

2. Hang the safety sign from the unit with the curtain hooks provided (or mount it to the wall using sign-mounting hardware supplied by installer).

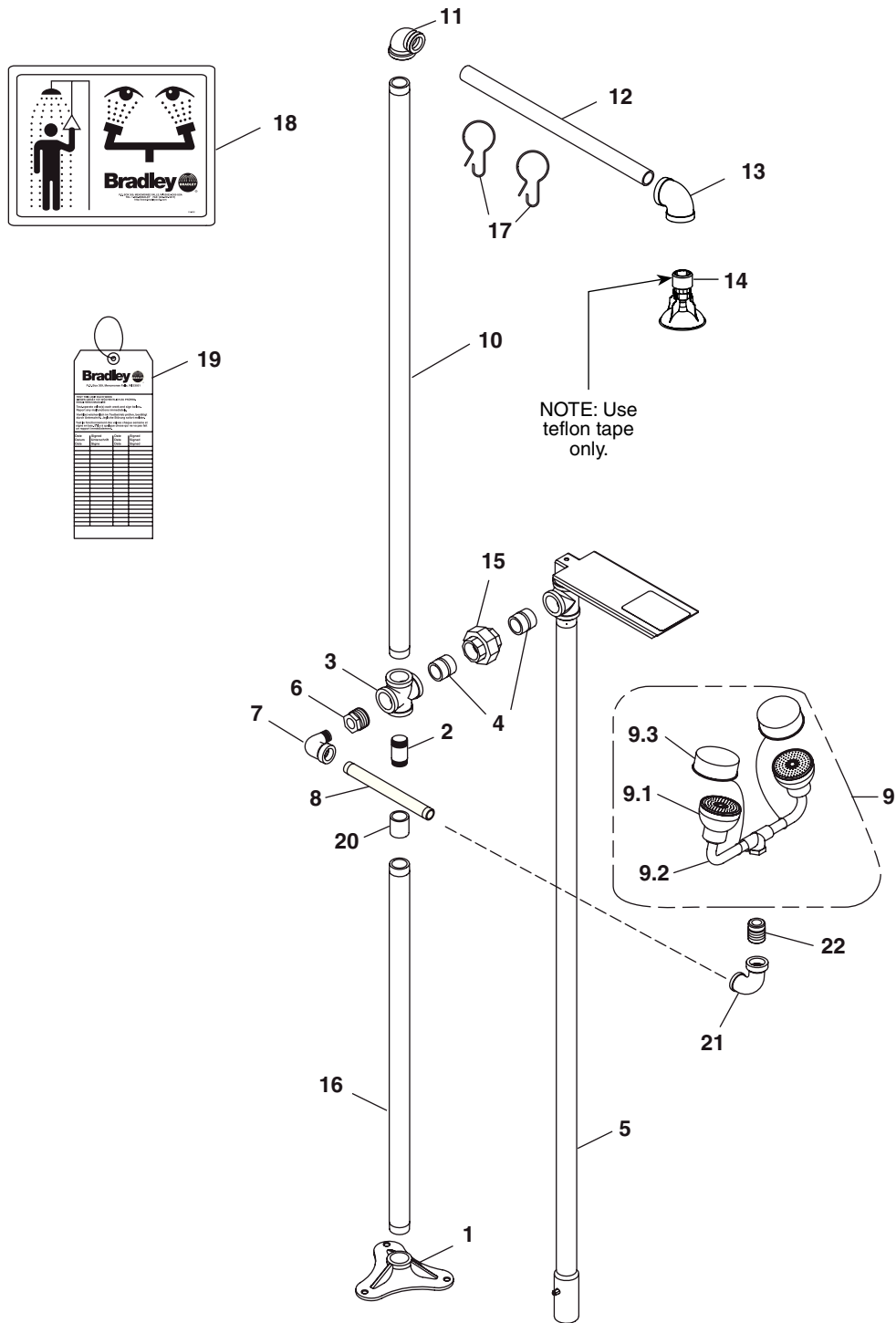


Not less than 3 cubic yards of crushed stone around and below drain down waste outlet for drainage.



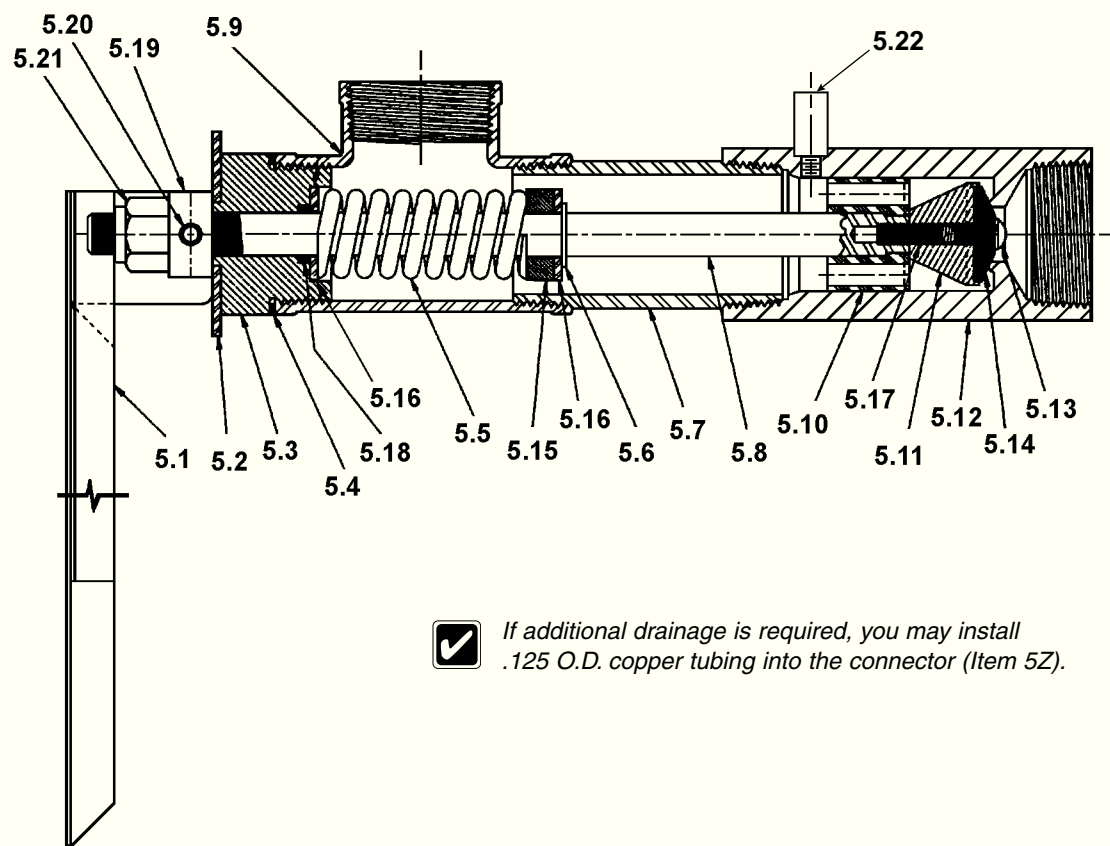
All dimensions assume standard thread engagement. Variations in manufacturing allow for $\pm \frac{1}{8}$ " (3mm) per threaded joint. To find the tolerance of a dimension, add the number of thread joints in between a dimension and multiply it by $\frac{1}{8}$ " (3mm).

Assembly of Components





Assembly of Components



If additional drainage is required, you may install .125 O.D. copper tubing into the connector (Item 5Z).

Parts List

Item	Part No.	Qty.	Description
1	131-042	1	Base
2	S06-136	1	Plugged Pipe 1¼" NPT
3	169-728	1	Pipe Cross 1¼" NPT
4	113-006NA	2	Close Nipple 1¼" NPT
5	S90-252	1	18" Frost-proof Valve Assembly
	S90-089	1	3' Frost-proof Valve Assembly
	S90-090	1	4' Frost-proof Valve Assembly
	S90-091	1	5' Frost-proof Valve Assembly
	S90-253	1	6' Frost-proof Valve Assembly
5.1	S08-040	1	Handle Assembly
5.2	142-002BB	1	Stainless Steel Washer
5.3	110-108	1	Bonnet Nut
5.4	124-001BS	1	Gasket
5.5	135-001AP	1	Spring
5.6	132-012	1	Retaining Ring
5.7	113-772	1	Casing Pipe (18" Bury Depth)
	113-773	1	Casing Pipe (3' Bury Depth)
	113-774	1	Casing Pipe (4' Bury Depth)
	113-775	1	Casing Pipe (5' Bury Depth)
	113-776	1	Casing Pipe (6' Bury Depth)
5.8	120-022K	1	Lifting Stem (18" Bury Depth)
	120-022D	1	Lifting Stem (3' Bury Depth)
	120-022E	1	Lifting Stem (4' Bury Depth)
	120-022F	1	Lifting Stem (5' Bury Depth)
	120-022G	1	Lifting Stem (6' Bury Depth)
5.9	169-727A	1	Tee
5.10	145-072	1	Guide
5.11	132-011	1	Retainer
5.12	118-246	1	Valve Body Assembly
5.13	160-138	1	Machine Screw
5.14	169-920	1	Faucet Washer
5.15	182-061	1	Spacer

Item	Part No.	Qty.	Description
5.16	142-002CC	3	Washer
5.17	160-251	1	Screw Stud
5.18	125-001CD	1	O-Ring
5.19	161-061	1	Stop Nut
5.20	165-038	2	Roll Pin
5.21	110-109	1	Bar Nut
5.22	169-890	1	Connector
6	169-725	1	Reducing Bushing 1¼" NPT x ½" NPT
7	169-025	1	90° Street Elbow
8	113-006NB	1	Pipe ½" NPT x 6½"
9	S05-064D	1	Eye/Face Wash Assembly
9.1	S45-2453	1	Service Kit EFW - Black Sprayheads
9.2	S05-091P	1	EFW Yoke Assembly
9.3	S53-063	2	Tethered Dust Covers
10	113-006MG	1	Pipe 1¼" NPT x 49½"
11	169-846	1	90° Reducing Elbow 1¼" x 1" NPT
12	113-006MT	1	Pipe 1" NPT x 21"
13	169-847	1	90° Elbow 1" NPT
14	S24-188	1	Plastic Showerhead Assembly
15	169-852	1	Union 1¼" NPT
16	113-1181	1	Pipe, 1¼" NPT x 31"
17	151-001	2	Curtain Hook
18	114-052	1	Safety Sign
19	204-421	1	Emergency Tag
20	169-853	1	Coupling, 1¼" NPT
21	169-1069	1	Elbow ⅜"-½"
22	113-006EF	1	⅜" Close Nipple
23	269-915	1	Grip Pad (not shown)