

## S19-690, S19-690LHS

### Portable Pressurized Eyewash & Drench Hose Units

- Complies with American National Standard Z358.1 when used exclusively as an eyewash
- 10-Gallon Pressurized Tank
- Twin Chrome-Plated Brass, Soft Flow, Eyewash Heads
- Highly Visible Yellow-Colored Hose Spray (S19-690 only)
- Universal Identification Sign and Inspection Tag Included
- Full, One-Year Warranty

#### Specifications

Ideal for providing emergency protection in areas where permanent water supply is not available. Supplements permanent eyewash fixture installations. Ten-gallon pressure tank is constructed of stainless steel. 35 $\frac{3}{8}$ " (905mm) high and 12 $\frac{1}{4}$ " (311mm) outside diameter. Weighs 23 lbs. empty and 90 lbs. full. Eyewash heads are chrome-plated brass. Tire filler valve with 0–160 PSI air gauge. 8' hand-held hose spray (S19-690 only) has chrome-plated metal parts. Hose burst strength is 450 PSI. Hand-held hose sprayhead contains an antimicrobial agent to protect the sprayhead.

#### Standard Equipment

##### 10-Gallon Tank

Stainless steel pressure tank has built-in carrying handles and resilient bottom. Tire filler valve with 0–160 PSI air gauge. Pressure relief valve prevents accidental over pressurization.

##### Eyewash

Twin chrome-plated brass, soft flow eyewash heads with automatic flow control stay-open valve. Protective dust covers are included. Hand operated by a large, highly visible stainless steel push handle. Flow from eyewash complies with ANSI Z358.1.

##### Hand-Held Hose Spray (S19-690 only)

8' (2438mm) yellow hose spray with hand-held squeeze-type valve, full-size spray nozzle, and hose clamp. All metal parts are chrome-plated.

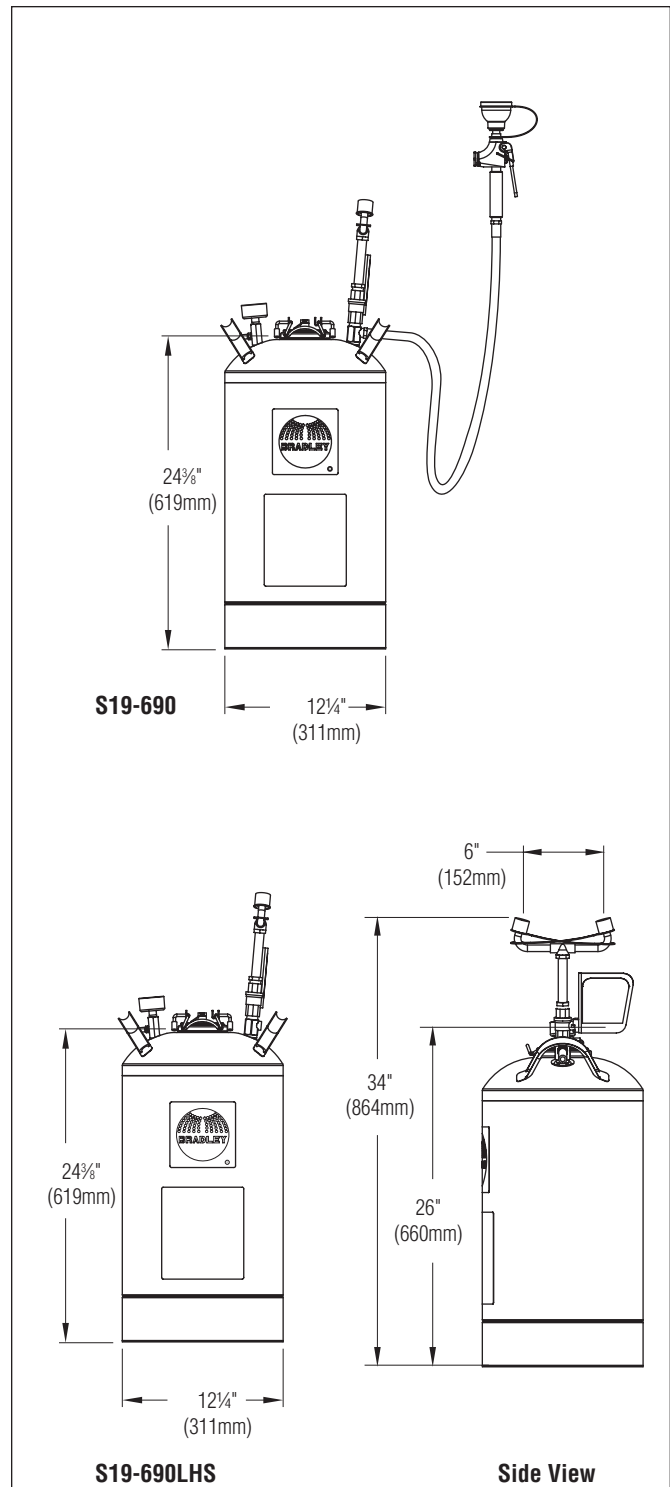
##### Concentrate (sold separately)

Concentrate is not included with tanks.



*Personal eyewash equipment does not meet the criteria of plumbed or self-contained eyewash equipment. Personal eyewashes support plumbed or self-contained units but shall not replace them.*

Model	Description
<input type="checkbox"/> S19-690	10-Gal. Portable, Pressurized Unit w/ Eyewash & Drench Hose
<input type="checkbox"/> S19-690LHS	10-Gal. Portable, Pressurized Unit w/ Eyewash only



[Bradley S19-690 Pressurized Eye/Face Wash Unit](#)  
[Bradley S19-690LHS Pressurized Eye Wash Unit](#)