

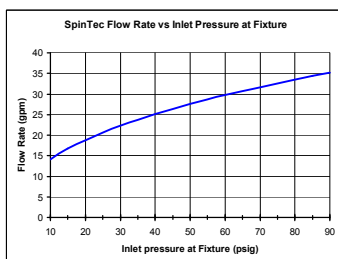
## Enclosed Indoor Safety Shower with Hot Water Tank

- 100% Vacuum-Formed Fiberglass Surround Construction – Exterior Includes UV Inhibitor Gel-Coat
- Stainless Steel Reinforced Bumper Pads for Base Lift Capability
- Skylights Built Into the Base Structure of the Walls Allow 360 Degrees of Natural Light Into the Enclosure, Eliminating the Need for Electrical. **NOTE: If the Tempering System is Enclosed. Only Three Sides of the Fixture Will Allow for Natural Light.**
- Combination Drench Shower, Eyewash, Eye/Face Wash and Drench Hose Fixtures are UL Certified to ANSI Z358.1
- Enclosure CSA Certified to UL 94 V-0 Self-Extinguishing Fire Rating
- Electrical System Third-Party Certified to Local Area Requirements
- Resin and Insulation Rated to a Class 1 ASTM Flame Spread Rating of Less Than 25

### Standard Equipment

#### Safety Shower, Eyewash and Drench Hose

Standard showerhead is 3.1" (78.7mm) diameter highly visible yellow impact-resistant plastic. SpinTec™ drench showerhead features integral 22 GPM (84.4 LPM) flow control, conserves water and provides equal distribution throughout the spray pattern providing a more effective wash down. Shower is activated by a stainless steel pull rod. SpinTec™ showerheads are covered by one or more of the following patents: 8113446; D594,089; D669,555; Reg. Comm. Des. D001079560-0001. Other patents pending.



Bradley's drench shower and eyewash ship with corrosion-resistant BradTect® yellow coating, providing additional protection from nature's elements. Optional accessories include a freeze protection valve that begins to bleed water at 40°F (5°C) and is fully open at 35°F (2°C) and a scald protection valve that begins to bleed warm water at 95°F (35°C) and is fully open at 100°F (38°C).

#### Inlet and Water Supply Pressure

Water inlet stainless steel 1/4" NPT connection. Hot water tank must be supplied with a minimum 50 psi, maximum 90 psi.

#### Standard Shelter Size

106½" (2705mm) O.D. x 57¼" (1454mm) O.D. x 109" (2769mm) O.D. height.

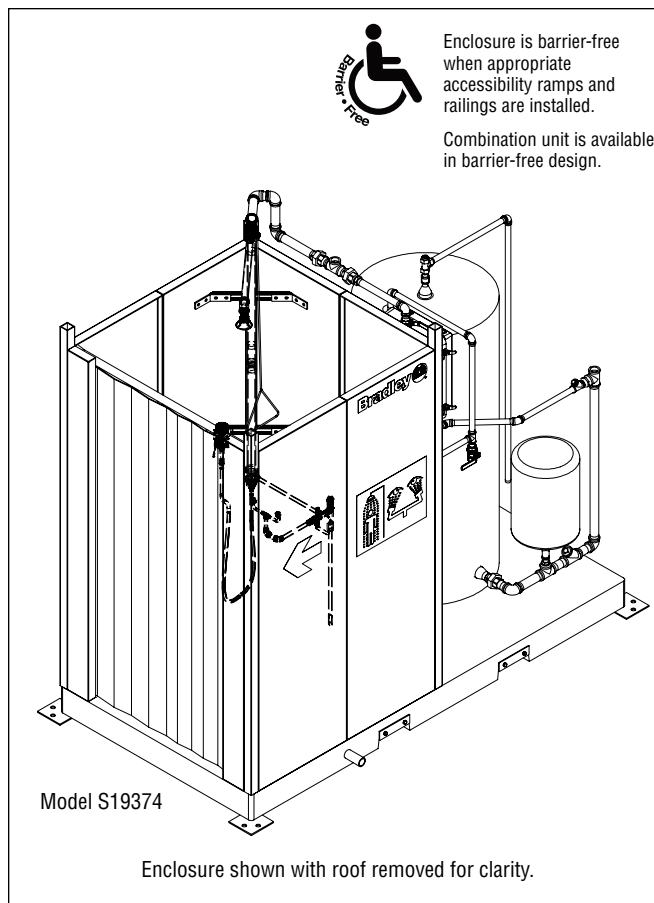
### Enclosure Construction

#### External

100% FRP (fiber reinforced plastic) vacuum-formed roof, walls and floor sections with UV-inhibited gel-coat surface. Insulates and protects the shelter from sunlight UV ray degradation, exposure from chemical and salt-laden air environmental conditions.

Resins and insulation are rated as a Class 1 ASTM E84 to flame spread rating of less than 25. Resin laminate is CSA-certified to flame self-extinguishing standard UL 94 V-0. Exterior of shelter is safety yellow (RAL-1018), and includes safety decals directing the injured party to the entrance of the shower.

The FRP vacuum-formed base includes stainless steel reinforced bumper plates for added protection when moving the shelter.



#### Internal

The shower area includes a sloped catch basin drain with a removable fiberglass floor grate that allows water to drain to a central location. Exterior drain may be located on either side of the shower surround with an option to drain directly under the shower. 3" PVC connections are provided for installer-supplied device for containment of contaminated water as needed.

A FRP splash panel is located behind the shower fixture allowing separation between the shower and the tempered water supply areas.

Optional lockable FRP maintenance doors are located at each side at the rear of the shower surround allowing easy access to the hot water tank, tempered water and internal space heating systems. Flooring in this area allows for wash down and drain water flow to the main shower drain area.

## Enclosed Indoor Safety Shower with Hot Water Tank

### Electrical/Alarm System

#### Alarm System

A double-pole double-throw water flow switch is an optional feature. The flow switch activates the exterior alarm strobe light and horn, which includes an alarm reset and a horn silencer allowing the strobe to continue to flash. Dry signal contact points and alarm reset is an option within the externally located electrical control box, providing alarm connection to facility control room areas.

Hot water tank temperature control alarm dry contacts are standard.

#### Electrical System (Optional)

Electrical utility components consist of an exterior over-door location light, internal ceiling mount vapor-sealed fluorescent light, and internal convection space heater. Electrical control enclosure located on the exterior wall for ease of electrical power connection by owner.

#### Area Light (Optional)

An exterior over-door location area light illuminates the surrounding area.

#### Pressure Booster

Two-horsepower pressure booster available. Pressure booster may be installed inside of the utility area. Evaluate site conditions prior to selecting this option. The pump is powered by the single power feed to the enclosure. Booster pump features an automatic on/off flow switch and has pressure reducing capabilities on the outlet. All pressure switches and controls necessary to automatically start the pump are included. Maximum inlet pressure is 60psi with a 70psi differential. Minimum of 20psi required. Pump will begin to function when the pressure falls below 45psi.

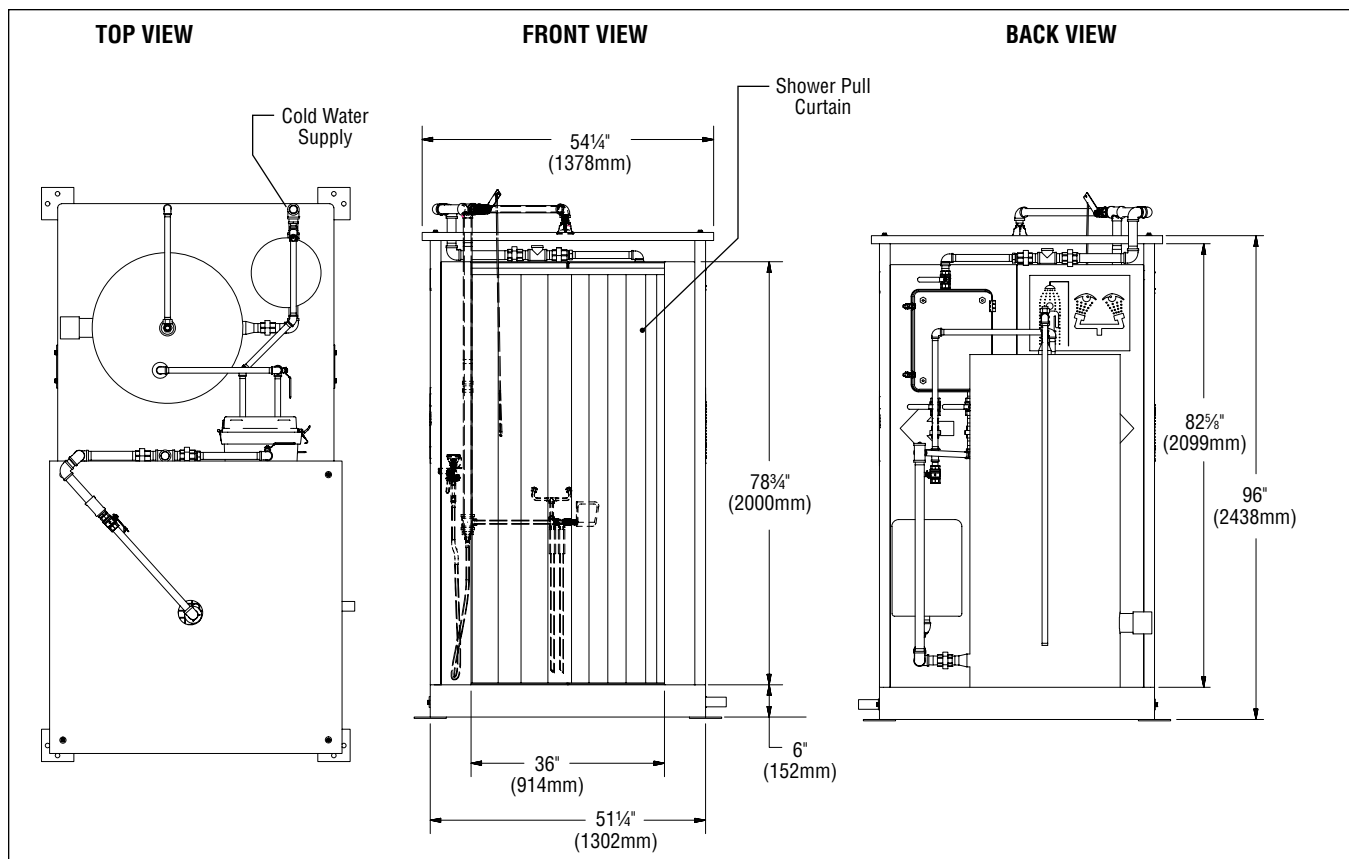
#### Hot Water Tank and Heating System

Standard system includes a 119-gallon hot water tank with immersion heater and dual-tank thermostat sensors. System is controlled by an externally located enclosed panel with dry alarm contacts.

Option: 119-gallon ASME rated Hot Water Tank.

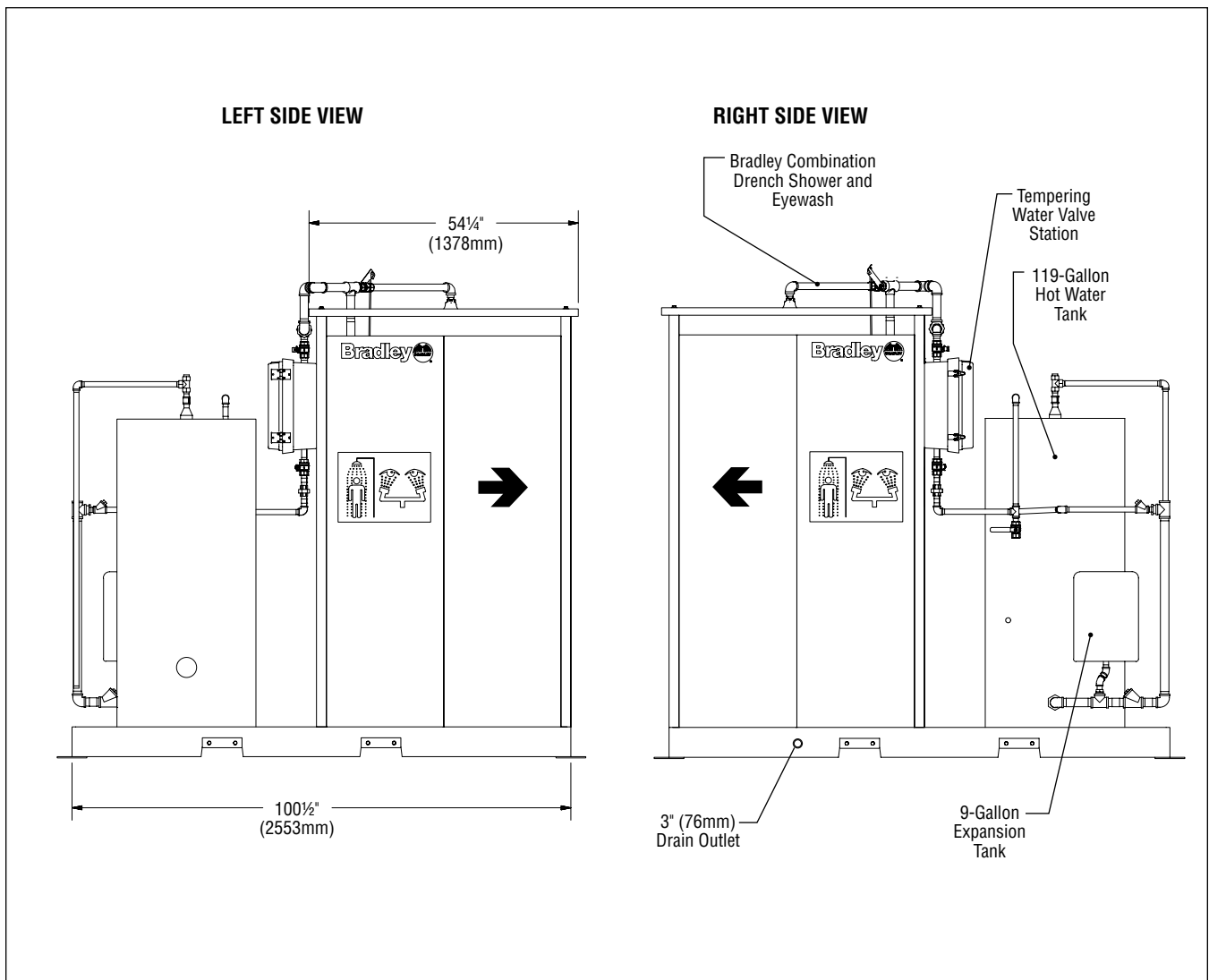
### Tepid Water Delivery System

Enclosure includes a Navigator® emergency thermostatic mixing valve that flows 36 GPM at 30 PSI (2.068 bars), with fixed, full flow cold water bypass. Valve blends cold water (supplied by others) and hot water from a hot water tank mounted onto the fiberglass enclosure to produce water between 60–100°F (15.5–37.7°C). Tepid water is required per ANSI Z358.1.



**Bradley Enclosed Safety Showers are non-cancelable, non-refundable and non-returnable.**

**Enclosed Indoor Safety Shower with Hot Water Tank**



**Enclosed Indoor Safety Shower with Hot Water Tank**

**Model**

**S19374** Enclosed Indoor Safety Shower with Hot Water Tank

**Selections (must select one from each category)**

**Fixture Material:**

- A** Galvanized Steel with Yellow BradTect® Coating
- B** Stainless Steel

**Ball Valve Material:**

- 1** Chrome-plated Brass (standard) (not available with stainless steel unit)
- 2** Stainless Steel

**Eye Rinse Platform:**

- A** Eyewash, Halo
- B** Eye/Face Wash, Halo
- S** Special \_\_\_\_\_

**Freeze and Scald Protection:**

- N** Freeze Protection Valve
- P** Scald Protection Valve
- R** Freeze and Scald Protection Valves
- O** None (standard)

**Drain Location:**

- 1** Drain Right (standard)
- 2** Drain Left
- 3** Drain Center
- S** Special \_\_\_\_\_

**Alarm Contacts:**

- A** DPDT Flow Switch Only
- B** DPDT Flow Switch + Alarm System
- S** Special \_\_\_\_\_
- O** None (standard)

**External and Internal Lights:**

- A** Green Exterior Area Light Only
- B** Interior Light Only
- C** Green Exterior Area Light and Interior Area Light
- S** Special \_\_\_\_\_
- O** None (standard)

**Electrical Class:**

- 1** General Area Classification
- 2** Class 1, Division 2
- 3** Class 1, Division 1
- S** Special \_\_\_\_\_

**Supply Voltage:**

- A** 120V 60Hz single-phase
- B** 208V 60Hz single phase (standard)
- C** 240V 60Hz single-phase
- D** 480V 60Hz single-phase
- E** 600V 60Hz single-phase
- S** Special \_\_\_\_\_

**Pressure Booster**

- 1** Pressure Booster
- S** Special \_\_\_\_\_
- O** None (standard)

**Size of Water Tank**

- 1** 119-gallon (standard)
- 2** 119-gallon (ASME)
- S** Special \_\_\_\_\_

**Fiberglass Enclosure**

- 1** Exposed to the Work Environment (standard)
- 2** Protected by a Vacuum-formed Fiberglass Enclosure
- S** Special \_\_\_\_\_

**Custom Adders:**

\_\_\_\_\_  
\_\_\_\_\_  
\_\_\_\_\_

**Job Name:**

**Location:**

\_\_\_\_\_

This is to acknowledge that the "End User" identified below has marked the boxes in the selection guide above to design an enclosure that will meet its site and specification requirements, and wishes to have Bradley custom-build that enclosure to its order, on the understanding that the order may not be canceled, the enclosure may not be returned and that no refund of any portion of the purchase price for the enclosure will be made (except under Bradley's warranty). It is also to acknowledge that the "Distributor" identified below is placing an order with Bradley for the enclosure, on the Terms and Conditions, again on the understanding that the order may not be canceled, the enclosure may not be returned and that no refund of any portion of the purchase price for the enclosure will be made (except under Bradley's warranty).

\_\_\_\_\_ name of "End User"

\_\_\_\_\_ name of "Distributor"

by \_\_\_\_\_

by \_\_\_\_\_

title \_\_\_\_\_

title \_\_\_\_\_

date \_\_\_\_\_

date \_\_\_\_\_