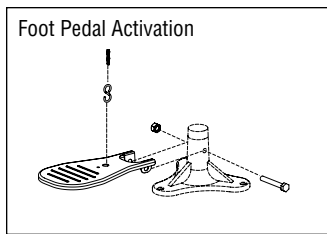
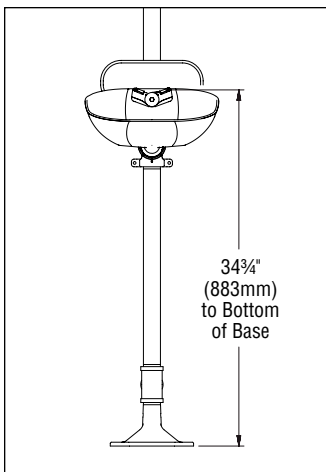
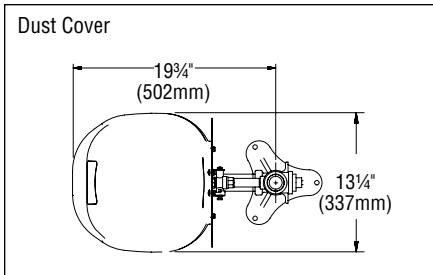
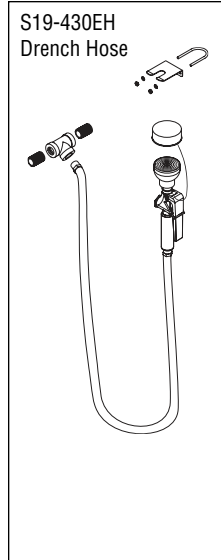
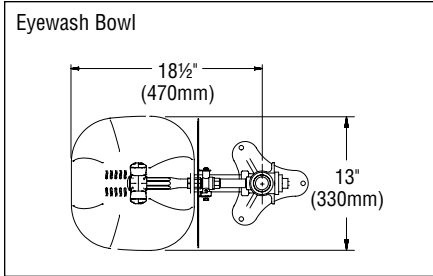
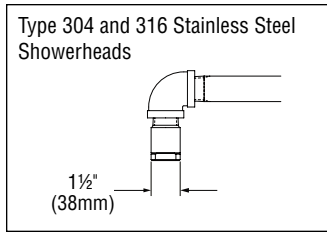
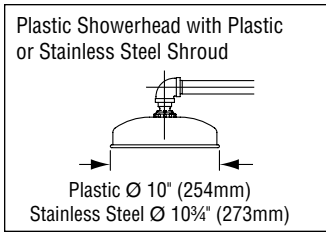
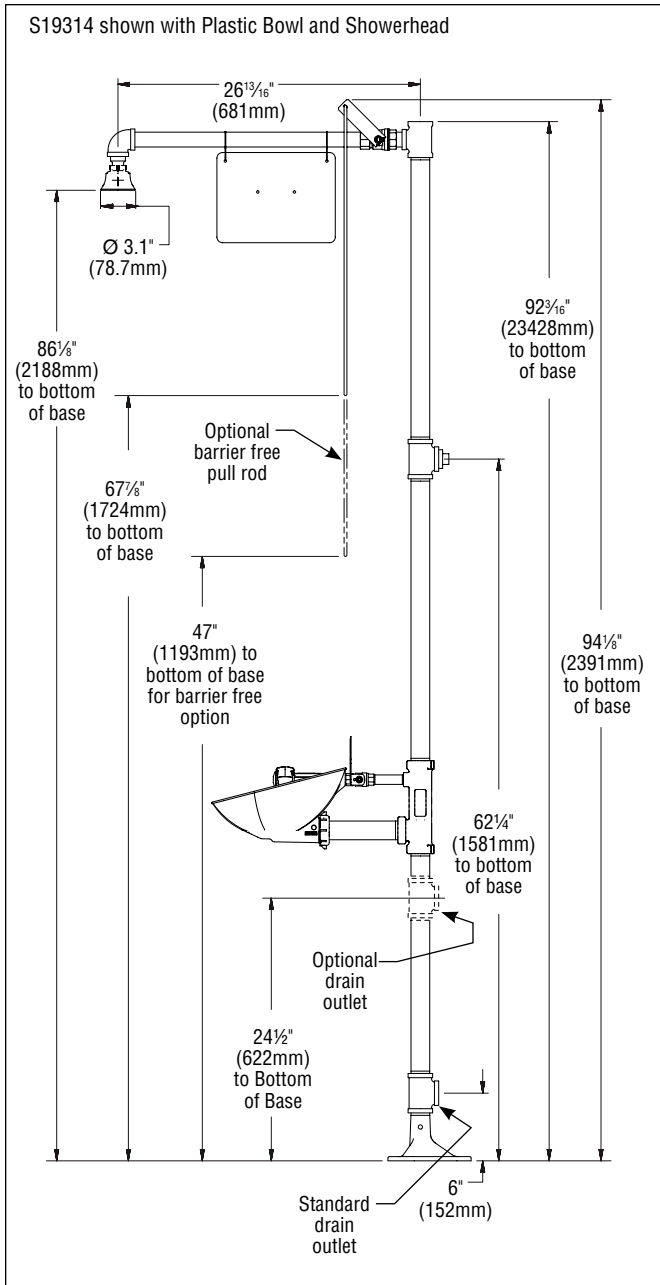


S19314 Series

Combination Drench Shower and Halo™ Eyewash or Eye/Face Wash



All dimensions assume standard thread engagement. Variations in manufacturing allow for +/- 1/8" (3mm) per threaded joint. To find the tolerance of a dimension, add the number of thread joints across the length of the dimension and multiply it by 1/8" (3mm).