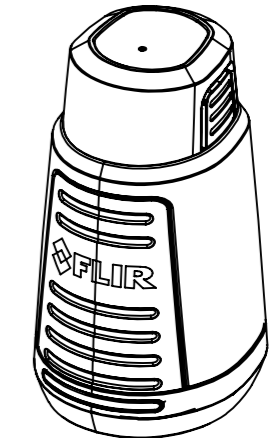
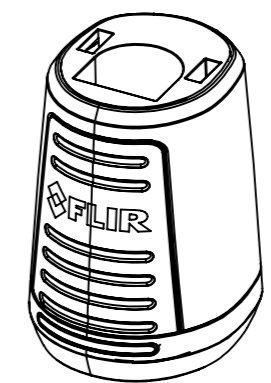
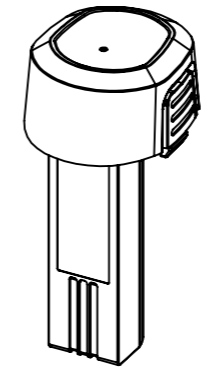
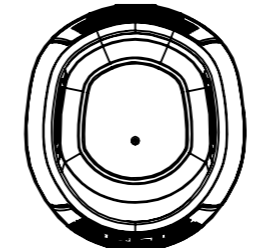
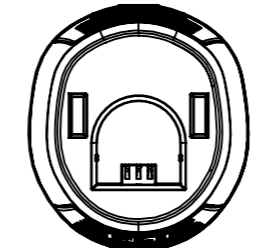
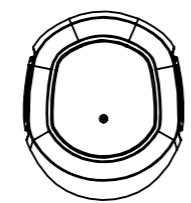
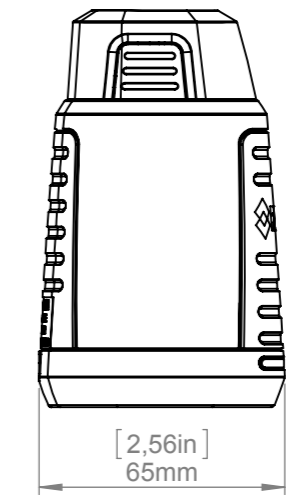
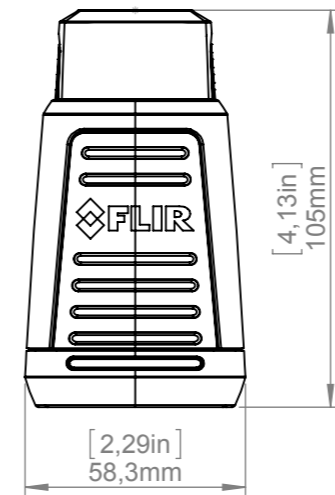
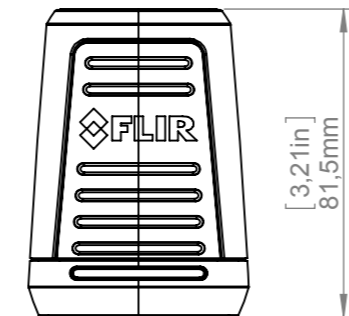
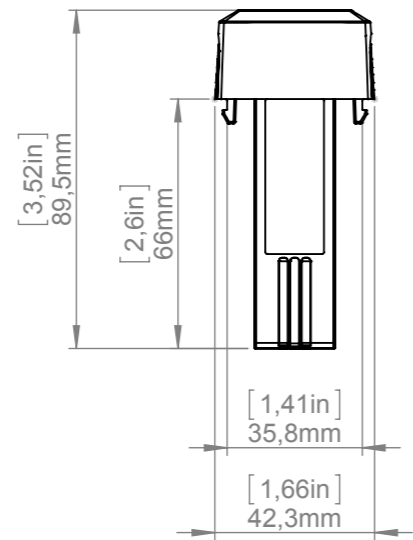
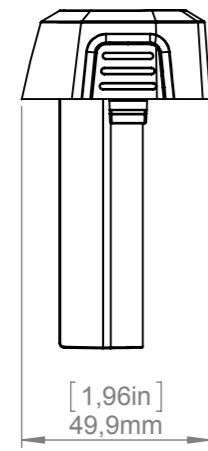
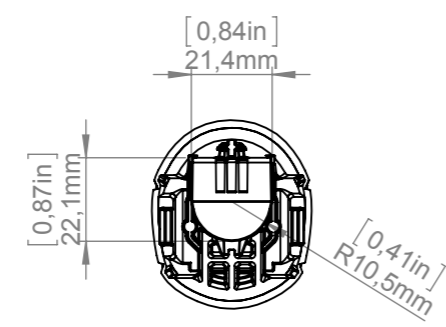


[Flir E4 Infrared Camera Thermal Imager MSX Enhancement](#)
[Flir E4-NIST E4 Infrared Camera Thermography MSX Enhancement](#)
[Flir E5 Infrared Camera Thermal Imager MSX Enhancement](#)
[Flir E5 NIST Infrared Camera Thermal Imager MSX Enhancement](#)
[Flir E6 Infrared Camera Thermal Imager MSX Enhancement](#)
[Flir E6 NIST Infrared Camera Thermography MSX Enhancement](#)
[Flir E8 Infrared Camera Thermal Imaging MSX Enhancement](#)
[Flir E8 NIST Infrared Camera Thermography MSX Enhancement](#)

Charger and Power pack



Modified 2013-03-25	Check CAHA	Drawn by R&D Thermography	Size A3
Denomination Basic dimensions FLIR Ex			Scale 1:2
Drawing No. T127831			Sheet 2(2)
			Size A