

Miller SafEscape ELITE™ Rescue Descent Device (RDD)

Description

The Miller SafEscape ELITE is a Rescue Descent Device, providing automatic, controlled descent in emergency situations.

Materials

Housing:	Anodized Aluminum
Hoisting Wheel:	Glass Reinforced Nylon
Anchorage Ring:	Stainless Steel
Pigtail:	Stainless Steel
Rope Drum:	Aluminum
Fasteners:	Stainless Steel
Shaft & Gears:	Stainless Steel
Bushings:	Bronze
Lifeline:	10.5 mm Polyamide Kermantle Rope
Ladder Bracket:	Aluminum
Carabiner:	Zinc Plated Steel



Technical

Descent Loads:	1 person 66 – 330 lbs (30- 150kg) 2 person 66 – 551 lbs (30 -250kg)
Max. Descent Height:	1 person 1640 ft. (500m) 2 person 656 ft. (200m)
Approved for Single or Multiple Use	
Hoisting Capacity:	220 lbs. (100kg) up to 11 ft. (3.5m) max 10 lifts
In Emergency:	617 lbs. (280kg) up to 33 ft. (10m) max 1 lift
Descent Speed:	3.3 ft./sec (1m/s) at 220 lbs. (100kg)

Additional Weights:

Humidity Resistant	
<u>Storage Case</u>	21.7 lbs. (10kg)
Wind Energy Kit w/Case – 50 feet	
<u>SEWPKTC/50</u>	46.3 lbs. (21kg)
Wind Energy Kit – 50 feet	
<u>SEWPKT/50</u>	24.6 lbs. (11kg)
Crane Rescue Kit – 50 ft	
<u>SECRKT/50</u>	18.1 lbs. (8kg)
SafEscape ELITE RDD	
<u>SE/50</u>	10.7 lbs. (5kg)
SafEscape ELITE RDD w/Wheel	
<u>SEHW/50</u>	12.3 lbs. (6kg)
SafEscape ELITE RDD w/Wheel and Ladder Bracket	
<u>SEHWLB/50</u>	16.3 lbs. (7kg)

Kit Weights*

Wind Energy Kit:	24.6 lbs (11kg)
Crane Rescue Kit:	18.1 lbs (8kg)
Basic Kit:	10.7 lbs (5kg)
Basic Kit w/Hoisting Wheel:	12.3 lbs (6kg)
Basic Kit w/Hoisting Wheel and Ladder Bracket:	16.3 lbs (7kg)

* Standard lengths start at 50 ft. (23kg) increasing by 25 ft. (11kg) increments up to 300 ft. (136kg). Add .048 lb (.022kg) per ft. to identify weights for longer rope kits. [Kit weights include product only. Weights do not include packaging materials.]

Certification

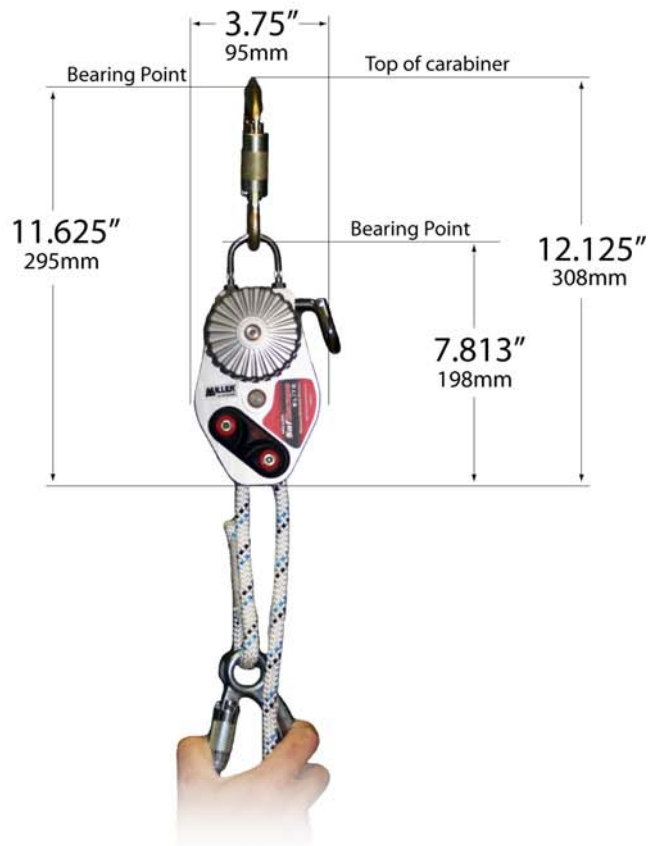
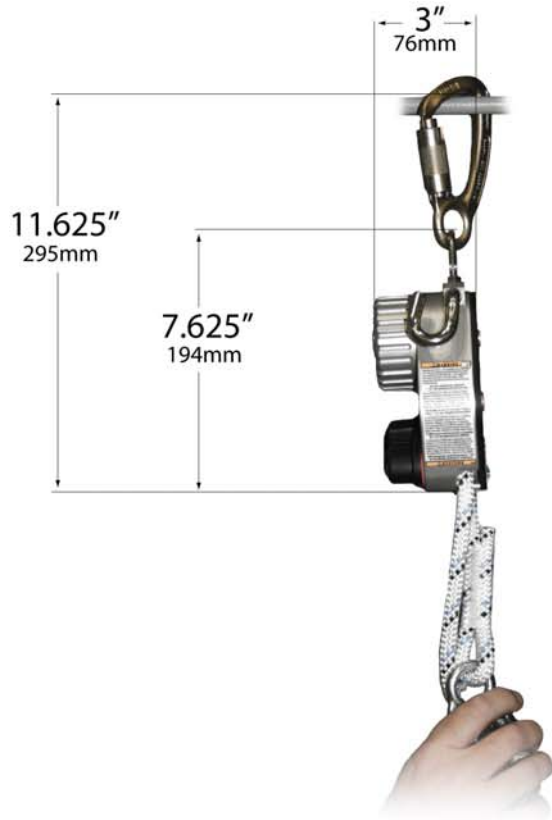
OSHA, ANSI/ASSE Z359.4, prEN341:2008/1A, EN1496:2007/B, CE0123, ISO22159:07/1/A

Miller SafEscape Elite RDD Kits	
Wind Energy Kit SEWPKT/50FT	Includes SafEscape ELITE RDD, hoisting wheel, ladder bracket, T-bar, edge protector, 3 anchor slings, 3 carabiners, pulley, adjustable rope anchor, rescue rope grab, accessory bag and kit bag
Crane Rescue Kit SECRKT/50FT	Includes SafEscape ELITE RDD, rescue harness, cross-arm strap, retrieval yoke and rescue bag.
Miller SafEscape Elite RDD Basic Models	
Basic Kit SE/50FT	Includes SafEscape ELITE RDD, anchor slings and rescue bag.
Basic Kit w/Hoisting Wheel SEHW/50FT	Includes SafEscape ELITE RDD, hoisting wheel, anchor slings and rescue bag.
Basic Kit w/Hoisting Wheel and Ladder Bracket SEHWLB/50FT	Includes SafEscape ELITE RDD, hoisting wheel, ladder bracket, anchor slings, adjustable rope anchor and rescue bag.

- [Miller SEWPKTC/50FT SafEscape Elite Wind Energy Fall Protection](#)
- [Miller SEWPKTC/75FT SafEscape Elite Wind Energy Fall Protection Kit](#)
- [Miller SEWPKTC/100FT SafEscape Elite Wind Energy Fall Protection Kit](#)
- [Miller SEWPKTC/125FT SafEscape Elite Wind Energy Fall Protection Kit](#)
- [Miller SEWPKTC/150FT SafEscape Elite Wind Energy Fall Protection Kit](#)
- [Miller SEWPKTC/175FT SafEscape Elite Wind Energy Fall Protection Kit](#)
- [Miller SEWPKTC/200FT SafEscape Elite Wind Energy Fall Protection Kit](#)
- [Miller SEWPKTC/225FT SafEscape Elite Wind Energy Fall Protection Kit](#)
- [Miller SEWPKTC/250FT SafEscape Elite Wind Energy Fall Protection Kit](#)
- [Miller SEWPKTC/275FT SafEscape Elite Wind Energy Fall Protection Kit](#)
- [Miller SEWPKTC/300FT SafEscape Elite Wind Energy Fall Protection Kit](#)

Miller SafEscape ELITE™ Rescue Descent Device (RDD)

Basic Kit
SE/50FT



Miller SafEscape ELITE™ Rescue Descent Device (RDD)



Basic Kit with
Hoisting Wheel
SEHW/50FT



Miller SafEscape ELITE™ Rescue Descent Device (RDD)



Overall Front of wheel
to back of bracket
• 10.563" (268mm)

Basic Kit with Hoisting
Wheel & Ladder Bracket
SEHWLB/50FT

See dimensions on pg 3 for
SafEscape ELITE and Wheel

