

[Novatek 305 3100 Pneumatic Backpack Hepa Filter Vacuum](#)

[Novatek 305 3150 Electric Backpack Hepa Filter Vacuum](#)

[Novatek 307 3100 Pneumatic Hepa Filter Vacuum 15 Gallon](#)

[Novatek 307 3300 Pneumatic Hepa Filter Vacuum 15 Gallon](#)

[Novatek 307 3350 Electric Hepa Filter Vacuum 15 Gallon](#)

305.3100

305.3150

307.3100

307.3300

307.3350

H.E.P.A.

Vacuums

OPERATIONS AND MAINTENANCE

© Copyright 2011 by NOVATEK Corporation

All rights reserved printed in the United States of America. No part of this manual may be used or reproduced in any form or by any means, stored in data base or retrieval system, without prior written permission from NOVATEK Corporation.

Making copies of this manual for any purpose other than your own personal use is a violation of the United States copyright laws.

January 1, 2011 issue 1.0

Specifications subject to changes without notice!

OPERATION AND MAINTENANCE MANUAL FOR

H.E.P.A. VACUUMS

NOTICE**FOR PROFESSIONAL USE ONLY****WARNING**

**IMPORTANT SAFETY INFORMATION ENCLOSED.
READ AND UNDERSTAND THIS MANUAK BEFORE OPERATING THIS PRODUCT.**

**IT IS YOUR RESPONSIBILITY TO MAKE THIS SAFETY INFORMATION
AVAILABLE TO OTHERS THAT WILL OPERATE THIS PRODUCT.**

FAILURE TO OBSERVE THE FOLLOWING WARNING COULD RESULT IN INJURY.



PLACING TOOL IN SERVICE

- Always install, operate, inspect and maintain this product in accordance with all applicable standards and regulations (local, state, country, federal, etc.).
- Always use clean, dry air at 90 psi (6.2bar/620kPa) maximum air pressure at the inlet. Higher pressure may result in hazardous situations including excessive speed, rupture, or incorrect output torque or force.
- Be sure all hoses and fittings are the correct size and are tightly secured. See DWG. TPD905-1 for a typical piping arrangement.
- Ensure an accessible emergency shut off valve has been installed in the air supply line, and make others aware of its location.
- Do not use damaged, frayed, or deteriorated air hoses and fittings.
- Always use proper gauge electrical cords with correct connections.
- Do not use damaged, frayed, or deteriorated electrical cords or connections. (When applicable.)
- Keep clear of whipping air hoses. Shut off the compressed air before approaching a whipping hose.
- Always turn off the power supply and disconnect the tool from power supply before installing, removing or adjusting any accessory on this tool, or before performing any maintenance on this tool.
- Do not lubricate tools with flammable or volatile liquids such as kerosene, diesel or jet fuel. Use only recommended lubricants.
- Keep work area clean, uncluttered, ventilated and illuminated.
- Keep all electrical connections clear of water or other liquids. (When applicable.)
- Do not operate the machine while flammable or volatile liquids such as gasoline, diesel or jet fuel are present. Failure to do so can result in explosion. (When applicable.)
- Do not remove any labels. Replace any damaged label.

USING THE TOOL

- Always wear protection when operating or performing maintenance on this tool.
 - Always wear hearing protection when operating this tool.
 - Always use Personal Protective Equipment appropriate to the tool used and material worked. This may include dust mask or other breathing apparatus, safety glasses, ear plugs, gloves, apron, safety shoes, hard hat and other equipment,
 - Prevent exposure and breathing of harmful dust and particles created by power tool use:
 - Some dust created by power sanding, sawing, grinding, drilling, and other construction activities contains chemicals known to cause cancer, birth defects or other reproductive harm. Some examples of these chemicals are:
 - Lead from lead based paints,
 - Crystalline silica from bricks and cement and other masonry products, and
 - Arsenic and chromium from chemically treated lumber
- Your risk from these exposures varies, depending on how often you do this type of work. To reduce your exposure to these chemicals: work in a well ventilated area, and work with approved safety equipment, such as those dust masks that are specially designed to filter out microscopic particles.

- Keep others a safe distance from your work area, or ensure they use appropriate Personal Protective Equipment.
 - This tool is not designed for working in explosive environments, including those caused by fumes and dust, or near flammable materials.
 - This tool is not insulated against electric shock.
 - Be aware of buried, hidden or other hazards in your work environment. Do not contact or damage cords, conduits, pipes, or hoses that may contain electrical wires, explosive gases or harmful liquids.
 - Keep hands, loose clothing, long hair and jewelry away from working end of tool.
 - Power tools can vibrate in use. Vibration, repetitive motions or uncomfortable positions may be harmful to your hands and arms. Stop using any tool if discomfort, tingling feeling or pain occurs. Seek medical advices before resuming use.
 - Keep body stance balanced and firm. Do not overreach when operating this tool. Anticipate and be alert for sudden changes in motion, reaction torques, or forces during startup and operation.
 - Tool and/or accessories may briefly continue their motion after throttle is released,
 - To avoid accidental starting – ensure tool in “off” position before applying air pressure, avoid throttle when carrying, and release throttle with loss of air.
 - Ensure work pieces are secure. Use clamps or vises to hold work piece whenever possible.
 - Do not carry or drag the tool by the hose.
 - Do not use power tools when tired, or under the influence of medication, drugs, or alcohol.
 - Never use a damaged or malfunctioning tool or accessory,
 - Do not modify the tool, safety devices, or accessories.
 - Do not use this tool for purposed other than those recommended.
 - Use accessories recommended by Novatek Corp.
 - Never operate a percussion Tool unless an accessory is properly installed and the tool is held firmly against the work,
 - Always use a retainer, when furnished, in addition to proper barriers to protect persons in surrounding or lower areas from possible ejected accessories.
 - When wearing gloves and operating models with inside trigger, always be sure that the gloves will not prevent the trigger from being released.
 - Wear safety shoes, hard hat, safety goggles, gloves, dust mask and any other appropriate protective clothing while operating the tool.
 - Do no indulge in horseplay. Distraction can cause accidents.
 - Keep hands and fingers away from the throttle lever until it is time to operate the tool.
 - Never rest the tool or chisel on your foot.
 - Never point the tool at anyone.
 - Compressed air is dangerous. Never point an air hose at yourself or others.
 - Never blow clothes free of dust with compressed air.
 - Be sure all hose connections are tight. A loose hose not only leaks but can come completely off the tool and while whipping under pressure, can injure the operator and other ins the area. Attach safety cables to all hosed to prevent injury in case a hose is accidentally broken.
 - Never disconnect a pressurized air hose. Always turn off the air supply and bleed the tool before disconnecting a hose.
 - The operator must keep limbs and body clear of the chisel. If a chisel breaks, the tool with the broken chisel projecting from the tool will suddenly surge forward.
 - Do not ride the tool with one leg over the handle. Injury can result if the chisel breaks while riding the tool.
 - Know what is underneath the material being worked. Be alert for hidden water, gas, sewer, telephone or electric lines.
 - Use only proper cleaning solvents to clean parts. Use only cleaning solvents which meet current safety and health standards. Use cleaning solvents in a well ventilated area.
 - Do not flush the tool or clean any parts with diesel fuel. Diesel fuel residue will ignite in the tool when the tool is operated, causing damage to internal parts. When using models with outside triggers or throttle levers, take care when setting the tool down to prevent accidental operation.
 - Do not operate the tool with broken or damaged parts.
 - Never start the tool when it is lying on the ground.
 - This tool is not designed for working in explosive atmospheres.
 - This tool is not insulated against electric shock.
-

TABLE OF CONTENTS

SECTION I

GENERAL..... 6

SECTION II

SAFETY..... 6

SECTION III

PRIOR TO USE 6

SECTION IV

IN USE..... 8

SECTION V

VACUUM, CART & ACCESSORIES..... 8

SECTION VI

FILTERS & HOSES 9

SECTION VII

ROUTINE MAINTENANCE 10
CLEANING & INSPECTION 11

SECTION VIII

SERVICE LAYOUTS 12
SPECIFICATIONS..... 18
NOVATEK WARRANTY 19

SECTION I

GENERAL

This operation and maintenance manual is furnished with each VSE Air and Electric Powered High Efficiency Vacuum Recovery System. It outlines the general operation and maintenance items critical to insure satisfactory, safe and long life of the Vacuum Systems. It is important that the user becomes familiar with the OSHA requirements for working with and disposing of hazardous waste.

READ ALL INSTRUCTIONS AND DATA IN THIS OPERATION AND MAINTENANCE MANUAL PRIOR TO OPERATION OF THIS EQUIPMENT.

These instructions are for your protection and convenience. Please read them carefully since failure to follow the precautions could result in injury. Whenever using electric powered equipment, basic safety precautions should be followed.

If after reading this manual anything seems unclear, contact a **NOVATEK** authorized distributor or **NOVATEK** directly by dialing 1-866-563-7800.

SECTION II

SAFETY

These Vacuum Systems are highly efficient systems designed for collection, filtering, containing and disposal of hazardous waste products generated from coating removal operations. In order to properly operate the systems effectively and safely, the following should be strictly adhered to.

1. Do not leave the vacuum system unattended when connected to a power supply line. Turn off air/electric and disconnect unit from the line when not in use and before servicing.
2. Do not allow the unit to be used as a conventional Vacuum Cleaner.
3. Follow the procedures outlined in this manual for safe and efficient use of the system. Use only **Novatek's** recommended parts and attachments.
4. Do not operate with damaged parts. If the vacuum system is not working as specified due to misuse, return damaged parts or return to a Distribution Service Center for inspection and repair as necessary.
5. Do not pull or carry the unit by the air hose or power lines, use lines as a handle, close a door on the lines, or pull the lines around sharp corners or edges. Keep the lines away from heated surfaces.
6. Do not allow objects to enter into the vacuum opening. Do not operate with any openings blocked.
7. Keep vacuum flow path clear of debris for safe efficient operations.
8. Keep hair, loose clothing, fingers and all parts of the body away from vacuum openings and moving parts of the tools being operated.
9. Do not pick up anything that is burning or smoking, such as hot ashes, matches or cigarettes.
10. Do not use without paper filter bags, intermediate filter, and H.E.P.A. filter in place.
11. Turn off all controls before disconnecting the power supply.
12. Do not use without approved safety restraints when operating on stairs, ladders, etc.
13. Do not use in areas where flammable or combustible liquids, such as gasoline, may be ingested.
14. Do not use where oxygen or anesthetics are used.

Replace damaged or worn parts immediately with genuine **Novatek** original equipment parts or to maintain safety and to protect your limited liability/warranty.

SECTION III

PRIOR TO USE

EQUIPMENT OPERATION AND FILTER CARE INSTRUCTIONS

1. The Novatek Vacuum Shrouded Equipment has been specifically designed to clean up hazardous material such as lead-based paint and asbestos. Special filters reduce the incidence of airborne dust that would be created by other methods of cleaning.
2. During the removal of protective coatings, asbestos dust, and other hazardous materials, do not sweep, scoop, shovel or in any manner handle other than by vacuuming.

3. Do not attempt, at any time, to bypass, remove, substitute, or by any other means, change the filters in this system with non-original equipment manufacturer parts. Use only approved Novatek vacuum filters and filter bags. Before attempting to use and before cleaning, be certain that you fully understand the instructions given for the setting up or cleaning/changing of filters in this vacuum unit.

EQUIPMENT SET UP

Remove the vacuum unit and all the attachments from the carton. Do not use the system until this owner's manual has been read and fully understood. Improper use could cause damage to the units or to the special filters employed.

BACK PACK FRAME/CANISTER ASSEMBLY (Models 305.3100 – 305.3150)

The vacuum unit is shipped with the frame attached to the canister. Adjust the various straps to fit the operator as illustrated and discussed below.

ADJUSTING HARNESS STRAPS TO THE OPERATOR:

1. Set the vacuum unit on a table with the frame to the table edge.
2. Loosen all straps; top and bottom.
3. Slip arms and shoulders through the shoulder and chest straps.
4. Close the waist straps and tighten.
5. Tighten the upper and lower adjustments of the shoulder and chest straps so that the shoulder pads come over the shoulders but remain above the armpit.
6. Equalize the tension on each strap so that the frame is held level.



REMOVAL OF CANISTER FROM BACK PACKS (Models 305.3100 & 305.3150)

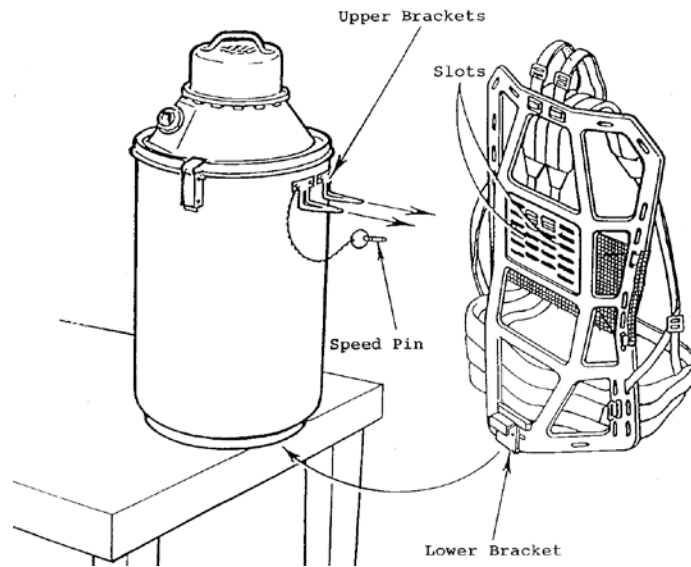
The back pack frame can be detached by removing the two speed pins from the attaching lugs, pulling the frame away from the canister, and then lifting the vacuum unit up freeing it from the lower bracket of the frame.

Whenever the back pack frame has been removed from the canister, it should be remounted to the canister before the vacuum unit can be used as a back pack.

REMOUNTING THE FRAME TO CANISTER (SEE ILLUSTRATION)

1. Set the canister on a table with the top frame brackets turned to the table edge.
2. Make sure the double rubber pads are on the canister under the top brackets and that a rubber pad is on the bottom bracket of the frame.
3. Pick up the frame and catch the bottom of the canister with the bottom bracket.
4. Pull the frame up towards the canister, fitting the two top canister brackets through the second slots from the bottom of the center frame mounting plate.

5. Push the frame onto the canister mounting brackets until the tip of the brackets can be seen showing a 5/16" hole.
6. Insert a speed pin hanging from a chain on each upper bracket into the holes to secure the frame onto the canister.



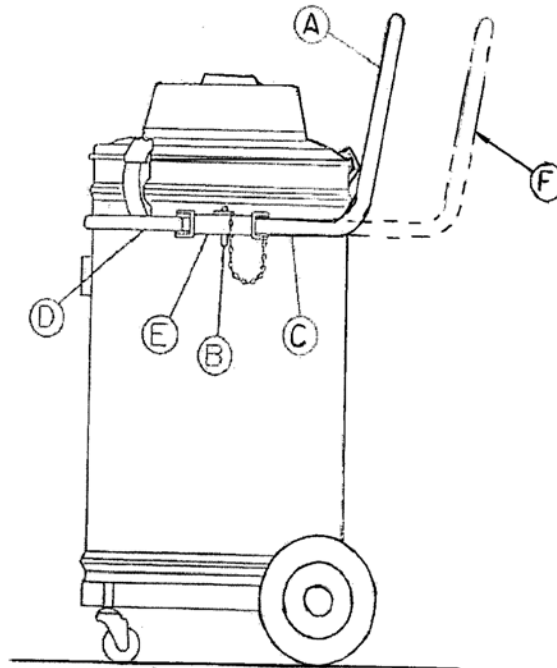
SECTION IV

VACUUM CART & ACCESSORIES (Models 307.3100 & 307.3300 & 307.3350)

The vacuum canister & wheels with the following accessories are included:

- Pre-Filter (white) - 2
- Disposable Filter - 5
- Collection Bag
- Crush Proof Vacuum Hose - 10'
- In Line Filter/Dryer (installed) (air models only)
- Operations & Maintenance Manual

The collapsible push handle should be repositioned from its packing configuration (A) to operating configuration (F) by withdrawing 2 pins (B). Refer to the following illustration. The handle is moved to the operating position by grasping both sides of handle at (C). The handle is locked into position when forward holes (D) align with hole in socket casting (E) and locking pin (B) is pushed in place. The reverse procedure is required to store the handle for packing.

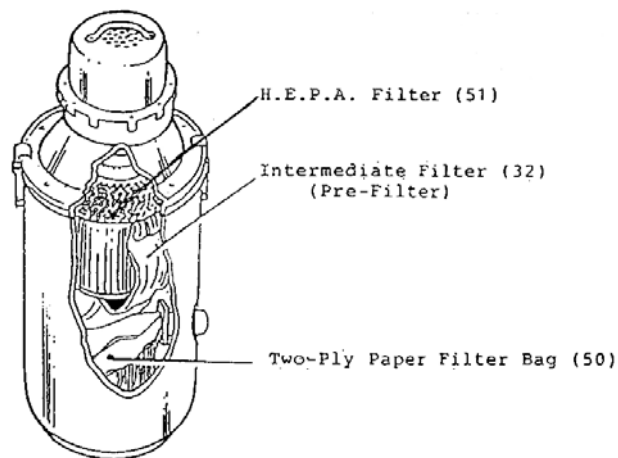


SECTION V

FILTERS & HOSES

FILTERS

This vacuum unit has special filters installed as shown below. The two-ply paper filter (50) contains the bulk of the debris and protects the remaining filters from excess dirt. The white intermediate filter (32) is a very fine non-woven filter that extends the life of the expensive High Efficiency Particulate Absolute (H.E.P.A.) filter (51).



INITIAL INSTALLATION OF FILTERS

1. Remove all items from the carton and set the vacuum unit on the edge of a table. Unsnap the hold-down clamps. Disengage the two clamps and remove the head assembly and carefully place aside.
2. Remove the H.E.P.A. filter unit and the intermediate white filter and place aside.
3. Mount the disposable two-ply filter bag by taking hold of the free ends of the cardboard attached to the paper bag and pulling the cardboard forward over the inlet fitting getting the cardboard as close to the wall of the canister as possible.

4. Place the white intermediate filter in position on top of the canister. Fold the edge to the outside of the canister overlapping approximately one inch. Insert the H.E.P.A. filter being careful not to move the intermediate filter. The sealing gasket must sit evenly on the rim of the canister to obtain an air tight seal.
5. Replace the power head assembly on top of the H.E.P.A. filter seated in the top of the canister.

CAUTION: TO ENSURE A SNUG FIT, MAKE SURE THAT THE AREA AROUND THE LID AND TOP EDGE OF THE VINYL SEALING GASKET IS FREE OF DIRT AND OTHER FOREIGN MATTER.

FILTER CHANGE REQUIREMENTS

Whenever the two-ply paper bag becomes filled, it should be replaced. Excessive over filling of this bag makes it difficult to remove and can result in breakage and spills. The intermediate white filter should be replaced with every fifth change of the two-ply paper bag or whenever there is damage or visible collection of debris on the outside of the filter. Follow the procedures for removing and replacing filter as outlined in Section 4 of this manual: Routine Maintenance.

HOSE ATTACHMENTS

- The vacuum hose and swivel connector are factory pre-assembled. The swivel connector (48) is inserted into the inlet fitting on the stainless steel can (35) and twisted clockwise until the connector snaps in place (rivets rest against the slot and on hose connector).
- The vacuum hose is attached to the tool by sliding the vacuum hose cuff end firmly onto the tool vacuum take off tube.
- The VSE is powered by a single compressed air line attached to the ball valve inlet (3). The tool operating compressed air is taken off at the "T" fitting (2). See Specifications - Section 7 for minimum air requirement.

STANDARD ITEMS INCLUDED

The following items are shipped with each VSE Vacuum:

- Pre filters (2)
- Disposable filter (5)
- Collection bags
- Crush proof vacuum hose (1 1/2" Dia.), 6' long
- In line filter/dryer (installed) (air models only)
- Operation & Maintenance Manual

SECTION VI

ROUTINE MAINTENANCE

Very little maintenance is required on the VSE. The following outlines the routine maintenance required.

- Loss of Vacuum

If system vacuum is lost as indicated on the vacuum gauge, check the following:

- Check hose for damage or internal blockage
- Check for adequate air supply
- Check the canister for dents along the rim which may prevent a positive seal
- Check to insure the intermediate or pre-filter is clean and free from dirt and dust
- Replacement of Loaded Paper Filter Bags
 - Remove the power head assembly, H.E.P.A. filter, and white intermediate filter
 - Push cardboard tab on filter bag off the air inlet tube
 - When the paper filter bag is full, remove by turning canister on its side to facilitate removal. Remove paper backing from sealing flap located over cardboard collar. Press sealing flap firmly over the opening to prevent leakage of recovered material.
 - Dispose of the filled filter bag into the plastic container bag. Tie off bag to insure no spillage occurs. The plastic bags have storage capacity of 5 filter bags.
- Replacement of the Pre-Filter (White)

- Under normal conditions the pre-filter is changed after every fifth paper filter bag is replaced or whenever there is damage to the pre-filter or a visible collection of debris on the outside of the filter.
- Prior to removing the pre-filter, wipe down all exposed surfaces on the underside of the removed lid (tower head) using a dampened cloth.
- Remove the pre-filter from the H.E.P.A. filter and be careful not to damage or puncture the paper media used in this unit. **DO NOT ATTEMPT TO CLEAN THE PRE- FILTER IN ANY WAY. DISPOSE OF IN THE SAME MANNER AS DESCRIBED IN THE PRECEDING SECTION.**
- Prior to any further cleaning of the canister, place a new pre-filter onto the H.E.P.A. filter. Replace the filters into the canister, then replace the air Venturi head and clamp in place by engaging the clamp assemblies.

CLEANING AND INSPECTION

Always wear an OSHA approved face mask for use with asbestos and other hazardous materials every time you are using this vacuum recovery system. You should also wear suitable gloves and protective clothing.

- Disconnect the vacuum unit from the compressed air supply.
- Carefully and slowly remove only the lid and set the lid and filter aside.
- Using a damp cloth, wipe down all of the exposed surfaces inside of the canister. Put the cloth aside. **DO NOT DISCARD CLOTH.**
- Carefully and *very* slowly, push the paper filter bag down and off the intake tube, using the attached cardboard collar. Remove the paper backing from the sealing flap located over the cardboard collar. (Note: If the filter bag does not have sealing flap use adhesive tape). Press the sealing flap firmly over the opening to prevent spill-back of the recovered material. After the collar is removed from the intake tube, take the damp cloth and wipe off any surfaces that were not previously wiped. At this time, re-wipe the entire inside of the canister and drop the wiping cloth into the OSHA approved poly bag.

CAUTION: HAZARDOUS MATERIALS MUST BE DISPOSED OF PROPERLY. NEVER THROW CONTAMINATED DEBRIS IN WITH YOUR USUAL TRASH RECEPTACLE. PLACE DEBRIS IN A 6 MIL POLY BAG OR A CAN MARKED WITH A "HAZARDOUS MATERIALS" WARNING AND DISPOSE IN ACCORDANCE WITH YOUR LOCAL HAZARDOUS WASTE REGULATIONS.

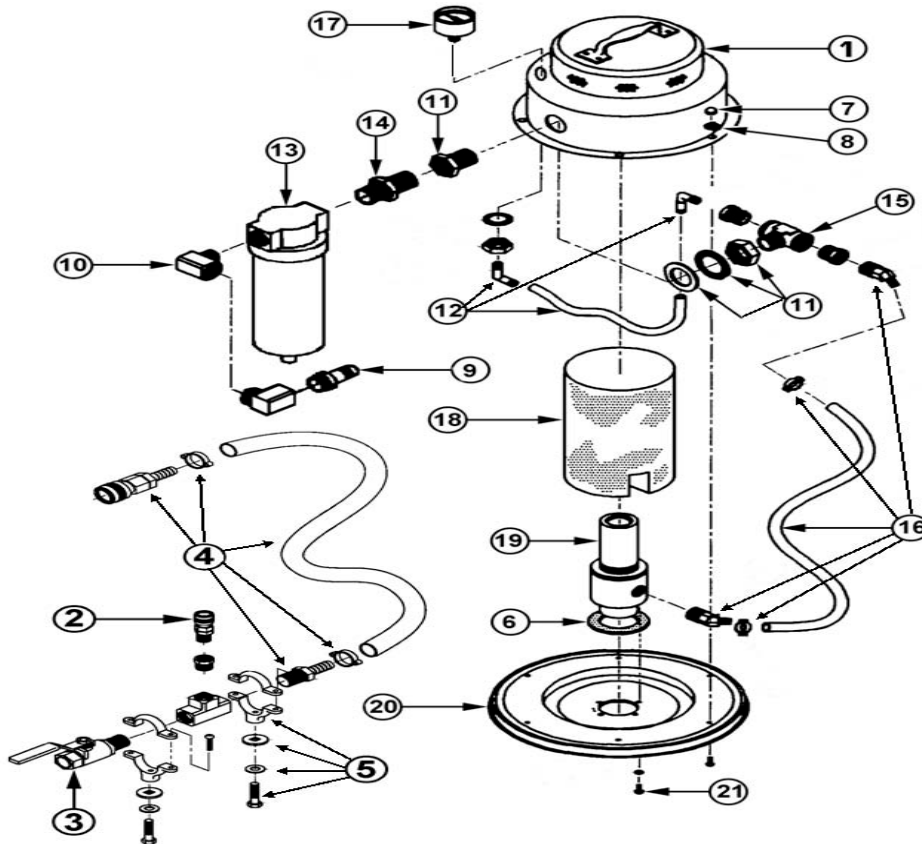
- For proper assembly of new filters, see Filter Installation Instructions.

SECTION VII

SERVICE LAYOUTS

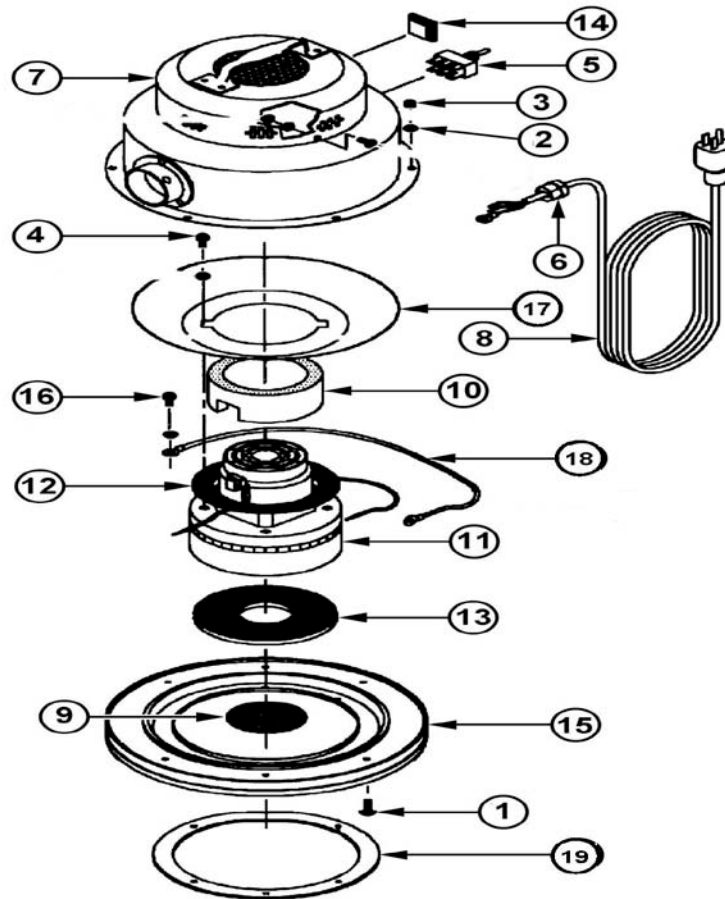
**PARTS LIST FOR VACUUM HEAD – (3H Air Backpack)
(PN: 305.3100)**

<u>REF.</u>	<u>PART NO.</u>	<u>DESCRIPTION</u>
1	310.0302	Dome Assembly with handles
2	310.0325	"T"Connector ½"Brass w/ 3/8" Socket ½" Male NPT
3	310.0324	Ball Valve Assembly
4	310.0304	Hose Assembly ½" ID
5	310.0323	Hose Clamp
6	310.0317	Screw #8-32
7	310.0319	Acorn Nut #8-32
8	310.0318	Hex Nut #8-32
9	310.0330	Plug Quick Connect ½" Male NPT
10	310.0331	Street E11, ½" Brass
11	310.0332	Bulk Head, ½" Brass
12	310.0333	Tubing Assembly
13	310.0346	Filter/Dryer
14	310.0348	Nipple- ½" Brass
15	310.0306	"T" Connector 2" NPT ID Brass
16	310.0305	Hose 3/8" ID
17	310.0335	Pressure Gauge
18	310.0322	Muffler
19	310.0321	Venturi
20	310.0320	Outer Can Cover (12")
21	310.0313	Screw #12-14



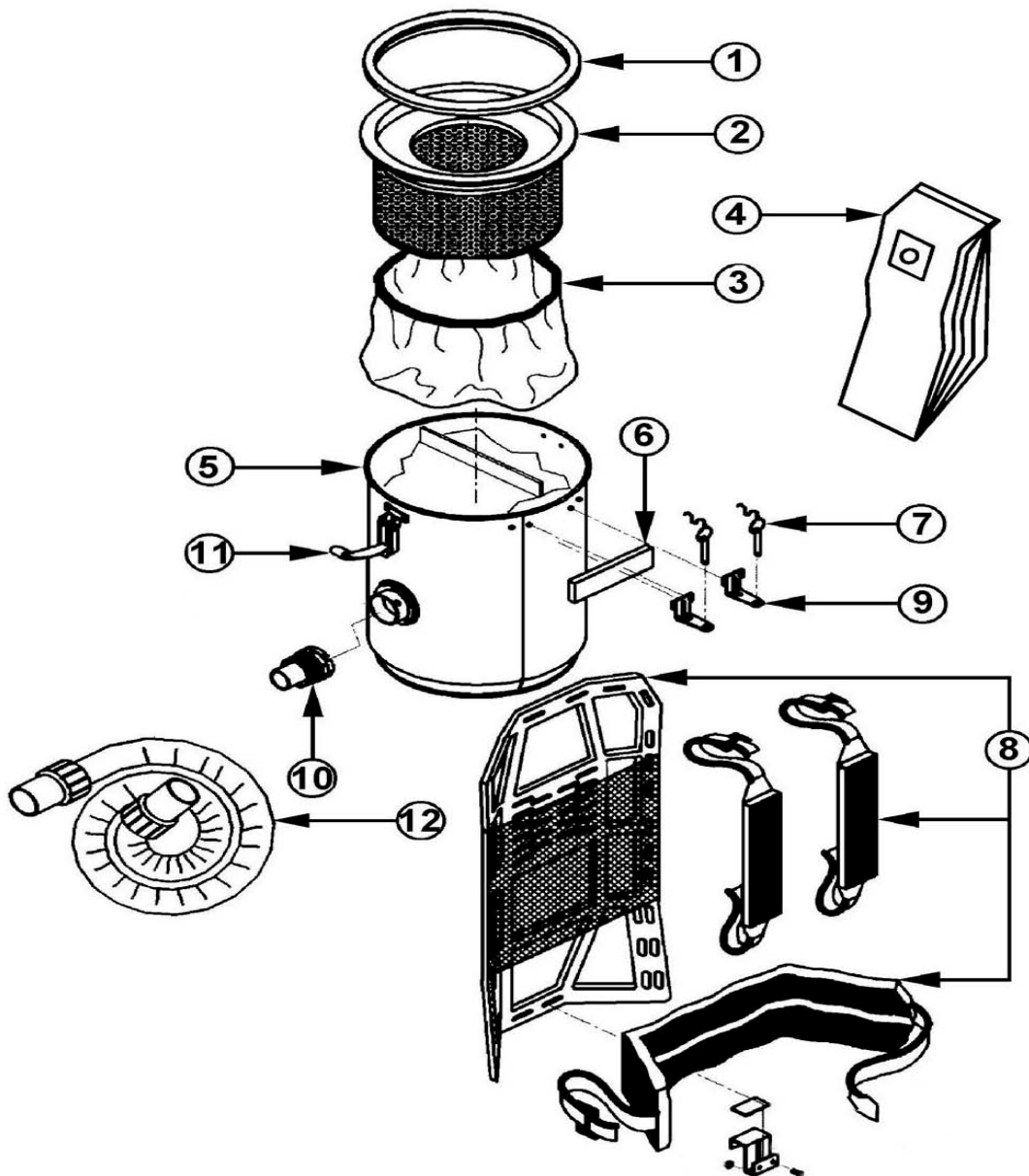
**PARTS LIST FOR VACUUM HEAD – (3AEH Electric Backpack)
 (PN: 305.3150)**

<u>REF.</u>	<u>PART NO.</u>	<u>DESCRIPTION</u>
1	310.0313	#10-24 x 1/2" Screw
2	310.0318	#10-24 Hex Nut
3	310.0319	#10-24 Acorn Nut
4	310.0352	#10-32 x .62 Screw and Washer
5	310.0353	Switch Assembly
6	310.0354	Strain Relief
7	310.0355	Upper Dome Assembly
8	310.0356	16/3 – 30ft Line Cord
9	310.0357	Screen
10	310.0358	Flat Gasket
11	310.0359	2 HP By-Pass Motor
12	310.0360	Circle Gasket
13	310.0361	Circle Gasket
14	310.0362	Push-In Cap Plug
15	310.0363	Outer Cover
16	310.0364	#10-32 x .31 Screw and Washer
17	310.0365	Motor Holddown
18	310.0366	Grounding Wire
19	310.0367	Circle Gasket



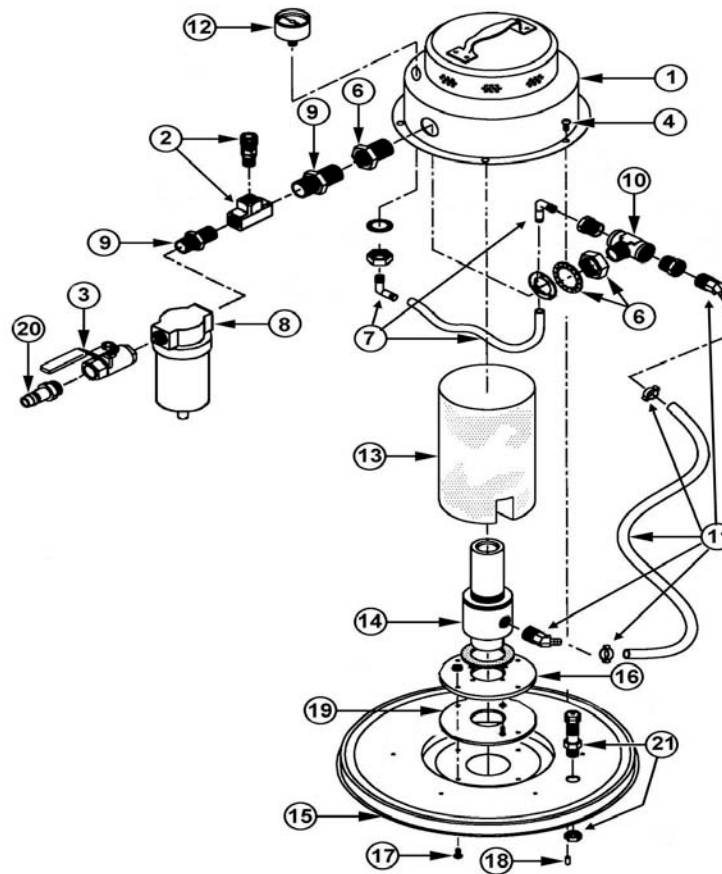
**PARTS LIST FOR BACKPACK CANISTER / FRAME – (3H Air & 3AEH ELECTRIC BACKPACKS)
(PN: 305.3100 & 305.3150)**

<u>REF.</u>	<u>PART NO.</u>	<u>DESCRIPTION</u>
1	310.0342	HEPA Filter Gasket
2	305.3133	HEPA Filter Assembly with Gasket (#1)
3	310.0310	Pre-Filter, 2 per pack
4	305.3120	Filter & Containment Bags, 5 per pack
5	310.0303	Stainless Steel Can
6	310.0341	Gasket
7	310.0340	Speed Pin
8	310.0301	Frame w/ Shoulder & Harness
9	310.0343	Mounting Clip
10	305.3135	Swivel Connector ½"
11	310.0337	Retaining Clips
12	719.3150	Vacuum Hose 1 ½" Crush Proof



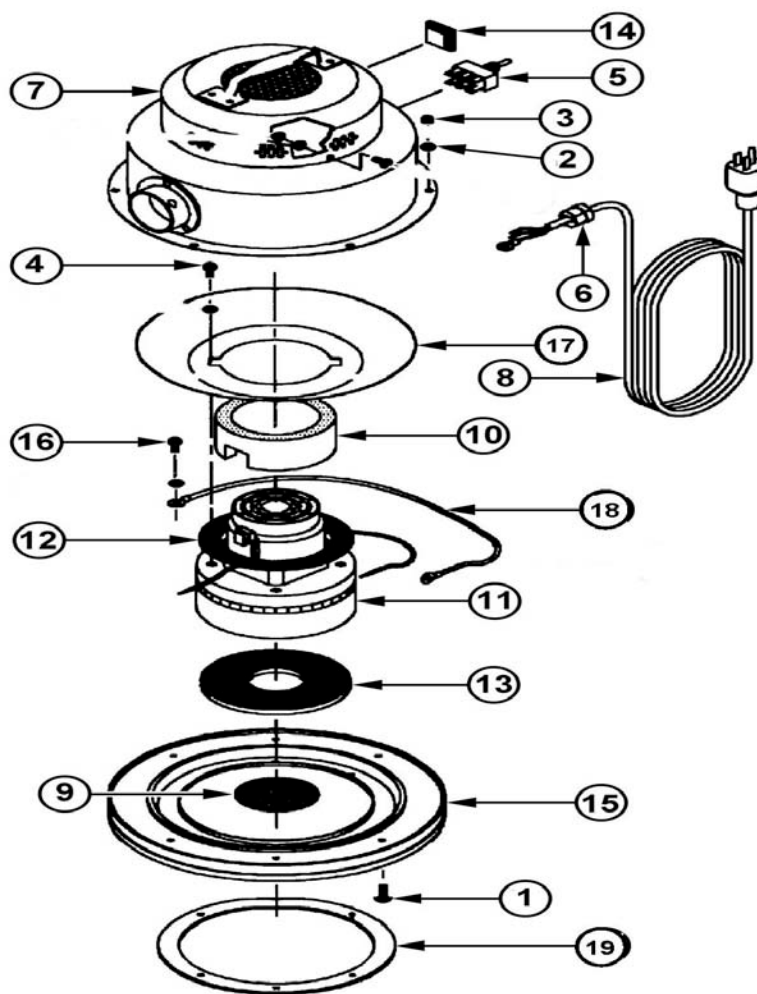
**PARTS LIST FOR VACUUM HEAD AIR (15H & 15PH Air Vacuums)
(PN: 307.3100 & 307.3300)**

<u>REF.</u>	<u>PART NO.</u>	<u>DESCRIPTION</u>
1	310.0302	Dome Assembly with handles
2	310.0325	"T" Connector 1/2" Brass w/ 3/8" Socket - 1/2" Male NPT
3	310.0324	Ball Valve Assembly
4	310.0319	Acorn Nut
5	310.0318	Hex Nut
6	310.0332	Bulk Head, 1/2 Brass
7	310.0333	Tubing Assembly
8	310.0346	Filter/Dryer
9	310.0348	Nipple - 1/2" Brass
10	310.0306	"T" Connector 2" NPT ID Brass
11	310.0305	Inner Hose Assembly
12	310.0335	Pressure Gauge
13	310.0322	Muffler
14	310.0321	Venturi
15	310.1016	Cover Assembly (16")
16	310.1017	Mounting Plate
17	310.1018	Screws (Pkg. 10)
18	310.0313	Screws (Pkg. 10)
19	310.1019	Gasket
20	310.0330	Plug Quick Connect 1/2" Male NPT
21	310.0328	Air Relief Valve



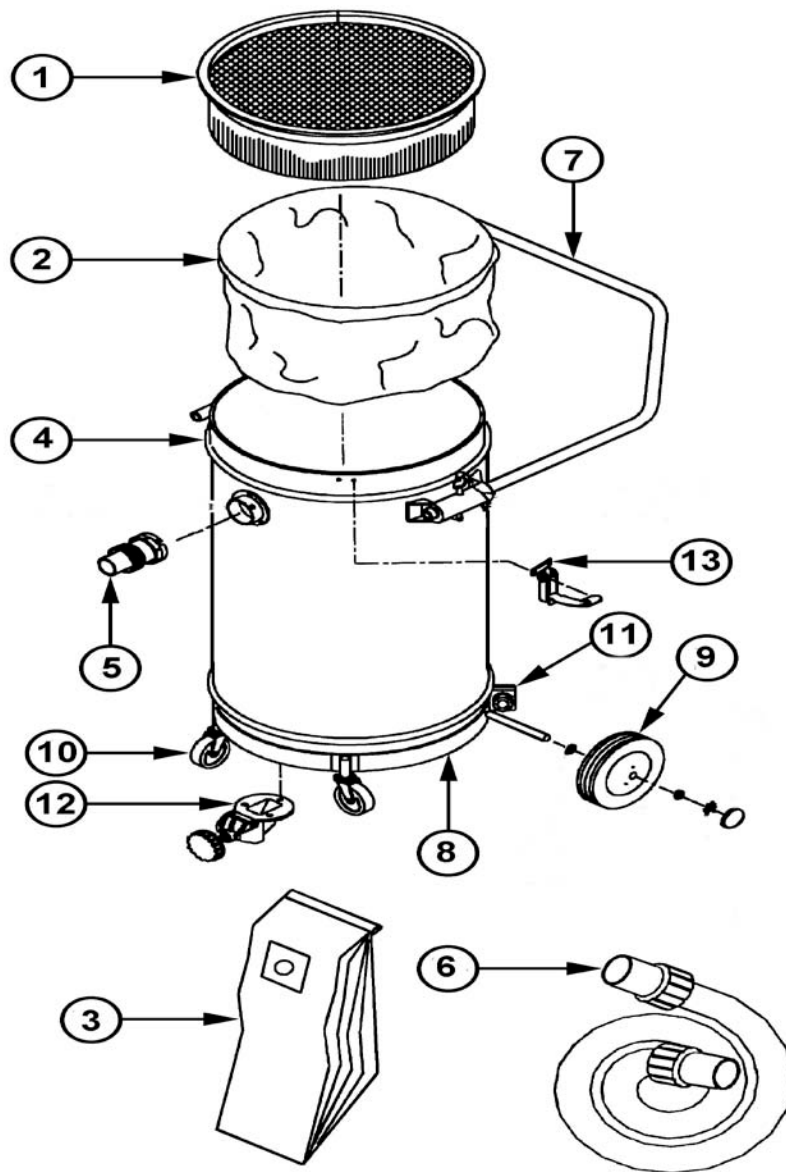
**PARTS LIST FOR VACUUM HEAD (15PEH Electric Floor Vacuum)
(PN: 307.3350)**

<u>REF.</u>	<u>PART NO.</u>	<u>DESCRIPTION</u>
1	310.0313	#10-24 x 1/2" Screw
2	310.0318	#10-24 Hex Nut
3	310.0319	#10-24 Acorn Nut
4	310.0352	#10-32 x .62 Screw and Washer
5	310.0353	Switch Assembly
6	310.0354	Strain Relief
7	310.0355	Upper Dome Assembly
8	310.0356	16/3 - 30ft Line Cord
9	310.0357	Screen
10	310.0358	Flat Gasket
11	310.0359	2 HP By-Pass Motor
12	310.0360	Circle Gasket
13	310.0361	Circle Gasket
14	310.0362	Push-In Cap Plug
15	310.0363	Outer Cover
16	310.0364	#10-32 x .31 Screw and Washer
17	310.0365	Motor Holddown
18	310.0366	Grounding Wire
19	310.0367	Circle Gasket



FLOOR VACUUM / CANISTER ASSEMBLY
PN: 307.3100 & 307.3300 & 307.3350

<u>REF.</u>	<u>PART NO.</u>	<u>DESCRIPTION</u>
1	310.1011	HEPA Filter Assembly with Gasket (14" Dia)
2	310.1010	Pre-Filter, 2 per pack
3	310.1012	Disposable Bags (Pkg. 5)
4	310.1520	15 Gallon Recovery Stainless Steel Can with Hardware (No Wheels)
5	305.3135	Swivel Connector 1 1/2"
6	719.3150	Vacuum Hose 1 1/2" Crush Proof
7	310.1514	Push Handle
8	310.1515	Glide Mobile Dolly
9	310.1517	Rear Wheel & Hub Cap
10	310.1015	Ball Bearing Caster
11	310.1519	Fastener Set
12	310.0338	Drain Valve
13	310.0337	Retaining Clips



SPECIFICATIONS

AIR & ELECTRIC POWERED H.E.P.A. VACUUM SYSTEMS

<u>VSE MODEL #</u>	<u>305.3100</u>	<u>305.3150</u>	<u>307.3100</u>	<u>307.3300</u>	<u>307.3350</u>
Container Size Gal	6.3	6.3	15	15	15
Recovery Capacity Gal	3.3	3.3	10	10	10
Static Lift Sealed Suction - In. H ² O	160	110	160	160	110
Output Flow - C.F.M.	170	110	170	170	110
Air Consumption & SCFM	50cfm@90psi	N/A	50cfm@90psi	50cfm@90psi	N/A
Power – HP	N/A	2	N/A	N/A	2
Max Hose Length	75Ft.x1.5"	25Ft.x1.5"	75Ft.x1.5"	75Ft.x1.5"	25Ft.x1.5"
Weight, #	37	37	70	70	70

NOVATEK CORPORATION LIMITED WARRANTY

The **TOOLS** manufactured by **NOVATEK CORPORATION** are warranted to be free from defects in material and workmanship for a period of **180 DAYS** from the date of purchase. This warranty does not apply to accessories. All electrical components of the tool are also warranted to be free from defects in material and workmanship for a period of **180 DAYS**.

This warranty applies only to **TOOLS** purchased new from **NOVATEK CORPORATION** or one of its authorized distributors. This warranty does not apply to any **TOOL** which has been abused, misused, modified or repaired by someone other than **NOVATEK CORPORATION** or its authorized repair center.

If a **TOOL** proves defective in material or workmanship within one year of purchase from **NOVATEK CORPORATION**, it should be returned to **NOVATEK CORPORATION**, transportation pre-paid. The return must be authorized by a **RETURN MERCHANDISE AUTHORIZATION NUMBER (R.M.A. #)** obtained from **NOVATEK CORPORATION** prior to returning the **UNIT**. All packages must show clearly on the outside the return merchandise authorization number. All packages received without any R.M.A. # on the outside will be refused by **NOVATEK CORPORATION** receiving department.

Warranty claims will only be considered upon adequate proof of date of purchase. **NOVATEK CORPORATION** will, at its option, **REPAIR or REPLACE DEFECTIVE PARTS**. Repairs or replacements are warranted as above for the remainder of the original warranty period. The sole liability of **NOVATEK CORPORATION** and the user's exclusive remedy under this warranty is limited to the repair or replacement of the defective product.

THERE ARE NO OTHER WARRANTIES EXPRESSED OR IMPLIED AND **NOVATEK CORPORATION** SHALL NOT BE LIABLE FOR INCIDENTAL, CONSEQUENTIAL OR SPECIAL DAMAGES OR ANY OTHER EXPENSES OR REPAIR OR REPLACEMENT AS DESCRIBED ABOVE.

All warranty claims should be forwarded to:

ATTENTION: CLAIM AND SERVICE DEPARTMENT
R.M.A. # _____